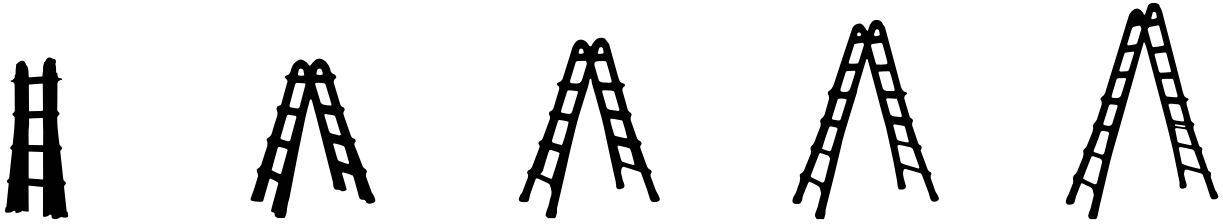
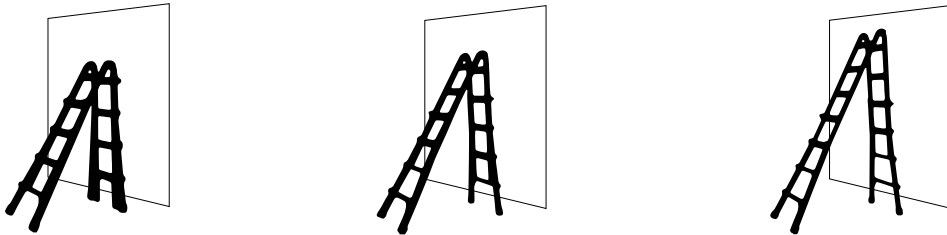


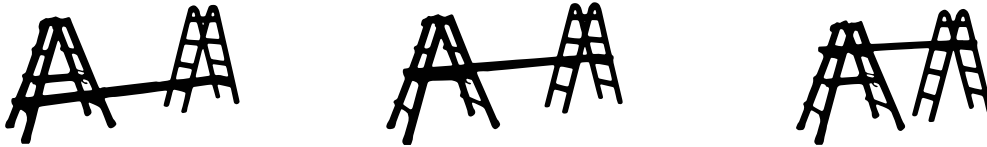
One Ladder Does It All [®]



STEPLADDER MODE / MODE ESCABEAU / MODO ESCALERA DE TIJERA



90-DEGREE MODE / MODE À 90 DEGRÉS / MODO EN 90 GRADOS



SCAFFOLDING TRESTLE MODE / MODE ÉCHAFAUDAGE / MODO DE CABALLETE DE ANDAMIO

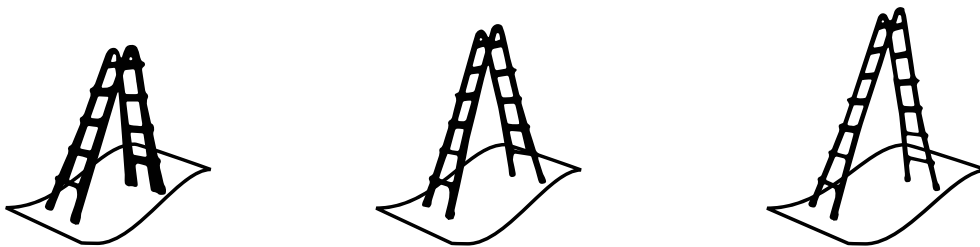
*Plank and trestle brackets
sold separately

*madrier d'échafaudage et fixations
du chevalet vendu séparément

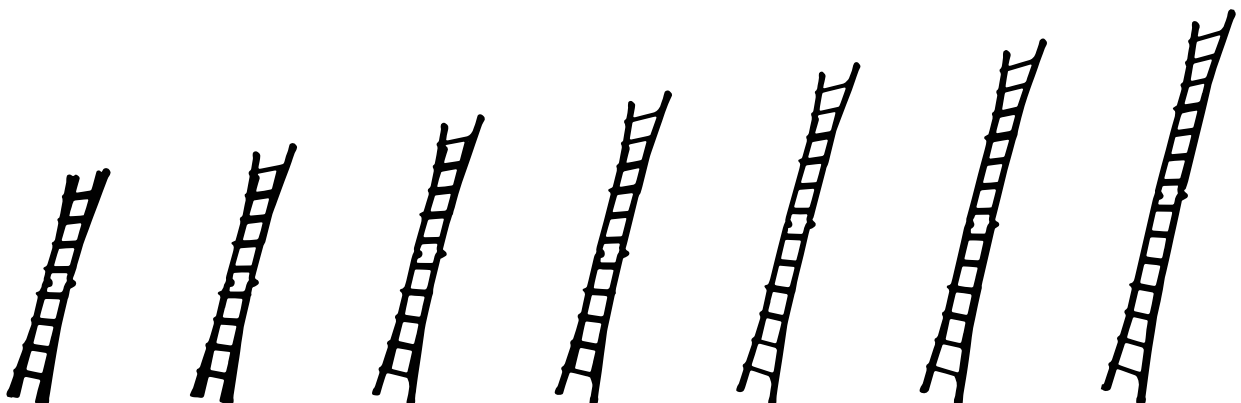
*andamio y los soportes del caballete
vendido por separado



STAIRCASE MODE / MODE ESCALIER / MODO PARA ESCALONES



UNEVEN SURFACES / SURFACE EN PENTE / SUPERFICIE INCLINADA



STRAIGHT LADDER MODE / MODE ÉCHELLE DROITE / MODO ESCALERA RECTA

Congratulations on your purchase of a LITTLE GIANT® ladder!

These instructions will help you make the most of your LITTLE GIANT ladders by learning how to use it safely. **Please do not ignore the instructions, study them!** If you have questions about how to operate your ladder, please search our safety resources at www.LittleGiantLadders.com/SafetyToolbox, scan the QR code, or call us before using your ladder. Your safety and satisfaction is most important to us.

Welcome to the LITTLE GIANT family!

Customer Experience Team: 800-453-1192 • Monday - Friday, 7 a.m. - 6 p.m. MST
Little Giant Ladder Systems LLC. • 1198 North Spring Creek Place • Springville, UT 84663
www.LittleGiantLadders.com

Félicitations d'avoir acheté une échelle LITTLE GIANT®!

Ces instructions vous aideront à tirer profit au maximum de votre échelle LITTLE GIANT en apprenant comment l'utiliser en toute sécurité. **N'ignorez pas les instructions, étudiez-les!** Si vous avez des questions sur la façon d'utiliser votre échelle, nous vous invitons à effectuer une recherche dans nos ressources sur le site www.LittleGiantLadders.com/SafetyToolbox, balayez le code QR ou contactez-nous avant d'utiliser celui-ci. Votre sécurité et votre satisfaction nous tiennent véritablement à cœur.

Bienvenue dans la famille de LITTLE GIANT!

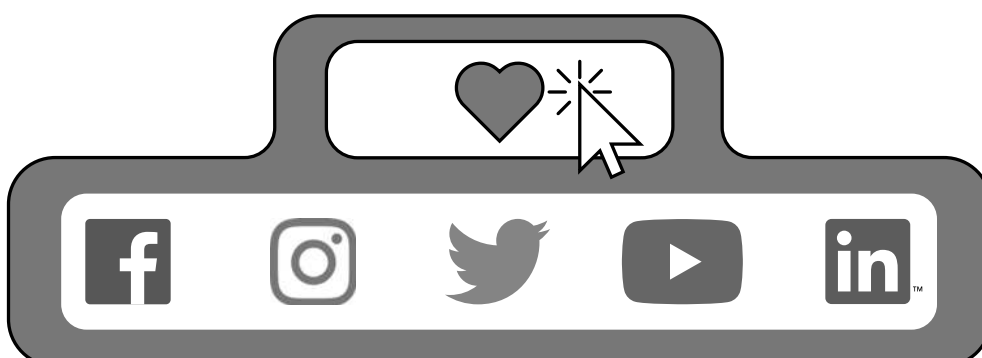
Équipe de service à la clientèle : 800-453-1192 • Du lundi au vendredi de 7 h à 18 h HNR
Little Giant Ladder Systems LLC. • 1198 N. Spring Creek Place • Springville, UT 84663
www.LittleGiantLadders.com

¡Felicitaciones por comprar una escalera LITTLE GIANT®!

Estas instrucciones le enseñarán a usar su escalera LITTLE GIANT de manera segura y así podrá aprovecharla al máximo. **Sigas estas instrucciones y memorícelas.** Si tiene alguna pregunta sobre cómo usar su escalera, busque nuestros recursos de seguridad en línea en www.LittleGiantLadders.com/SafetyToolbox, escanee el código QR o comuníquese con nosotros antes de usar la escalera. Su seguridad y su satisfacción son lo más importante para nosotros.

¡Bienvenido a la familia LITTLE GIANT!

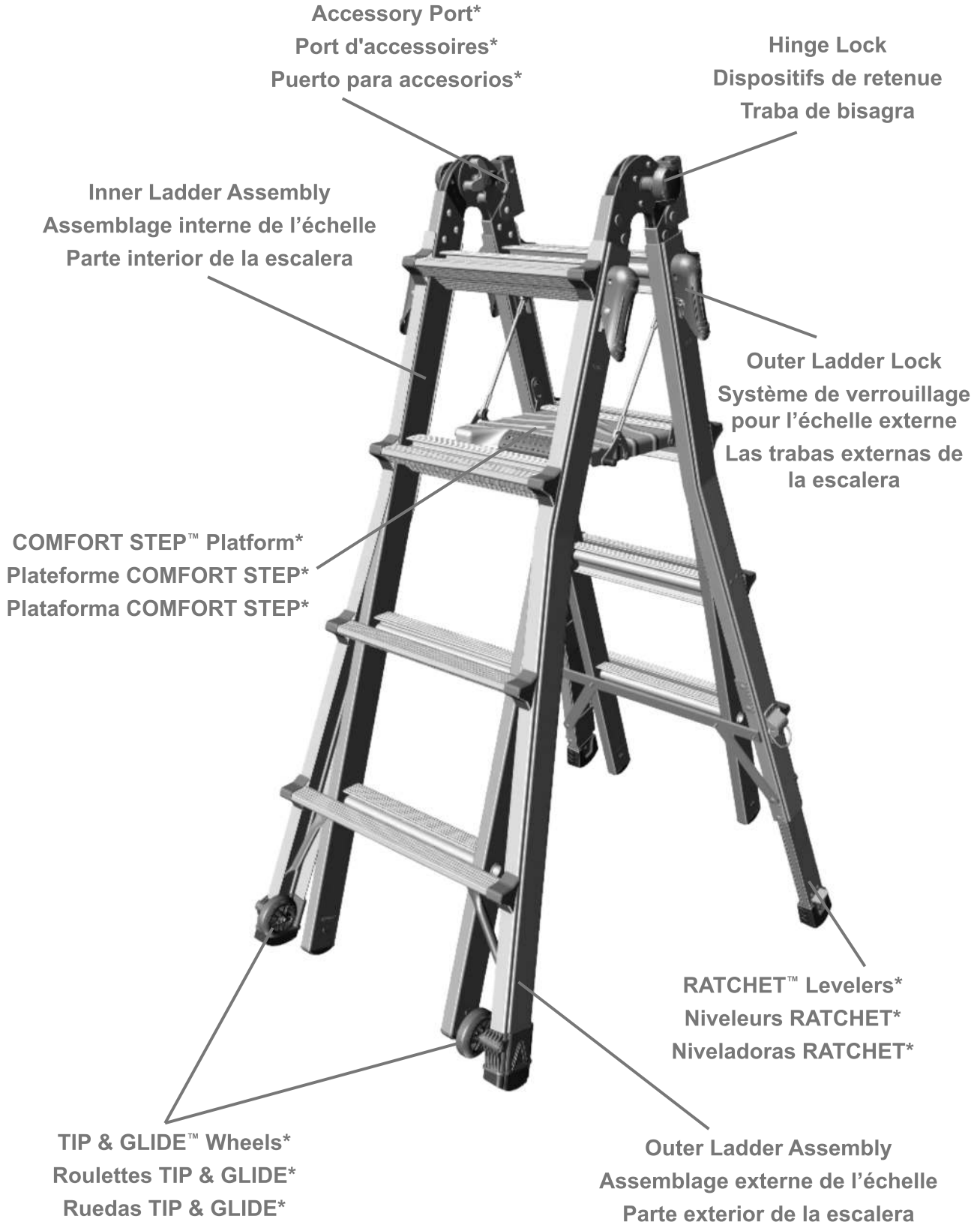
Equipo de atención al cliente: 800-453-1192 • De lunes a viernes de 7 a. m. a 6 p. m.,
MST (hora de la montaña)
Little Giant Ladder Systems LLC. • 1198 North Spring Creek Place • Springville, UT 84663 • EE. UU.
www.LittleGiantLadders.com



Get to know your new Little Giant® ladder!

Apprendre à connaître votre nouvelle échelle Little Giant!

¡Llegar a conocer su nueva escalera Little Giant!



*Depending on your ladder model, these items may or may not be included or available.

*Selon le modèle de l'échelle, ces éléments peuvent ou non être inclus ou disponible.

*Dependiendo del modelo de escalera, estos artículos pueden ser o no ser incluidos o disponibles.

Table of Contents

Table des matières

Tabla de contenido

English

Introduction - LITTLE GIANT® Ladder Basics	6
Operating and Adjusting the Ladder.....	7
The Hinges	7
The Outer Ladder Locks.....	8
General Operating Safety Tips	9
Stepladder Mode Instructions.....	10
Staircase Mode Instructions	10
Straight Ladder Mode Instructions	11
90° Mode Instructions.....	12
Scaffolding Trestles Instructions.....	12
TIP & GLIDE™ Wheel Instructions	14
AIRDECK® Workstation Instructions.....	15
COMFORT STEP™ Platform Instructions.....	16
RATCHET™ Leveler Instructions.....	16
Ladder Maintenance Instructions	17
Little Giant Warranty.....	19
Standards Compliance and Certifications	19
Preoperational Inspection Checklist	21

EN

Français

Introduction - Éléments de base de l'échelle LITTLE GIANT®	22
Utiliser et ajuster l'échelle.....	23
Les charnières.....	23
Système de verrouillage pour l'échelle externe.....	24
Consignes de sécurité pour l'utilisation générale	25
Instructions du mode escabeau	26
Instructions du mode escalier.....	26
Instructions pour l'échelle droite.....	27
Instructions pour le mode à 90 degrés	28
Instruction pour le mode chevalet d'échafaudage.....	28
Instructions pour les roulettes TIP & GLIDE™	30
Instructions pour la station de travail AIRDECK®	31
Instructions de la plateforme COMFORT STEP™	32
Instructions du dispositif de mise à niveau RATCHET™	32
Instructions pour l'entretien de l'échelle	33
Garantie Little Giant	35
Certifications et conformité aux normes	35
Liste d'inspection de l'échelle avant chaque utilisation	37

FR

Español

Introducción - Información básica de la escalera LITTLE GIANT®	38
Uso y ajuste de la escalera	39
Las bisagras	39
Las trabas externas de la escalera	40
Consejos generales de seguridad de uso	41
Instrucciones para el modo escalera de tijera.....	42
Instrucciones para el modo para escalones.....	42
Instrucciones para el modo de escalera recta.....	43
Instrucciones para el modo de 90 grados	44
Instrucciones para el modo de caballete de andamio	44
Instrucciones para las ruedas TIP & GLIDE™	46
Instrucciones para la estación de trabajo AIRDECK®	47
Instrucciones para la plataforma COMFORT STEP™	48
Instrucciones para las niveladoras RATCHET™	48
Instrucciones de mantenimiento de la escalera	49
Garantía de Little Giant	51
Cumplimiento de normas y certificaciones	51
Lista de verificación de inspección preoperativa de la escalera	53

ES

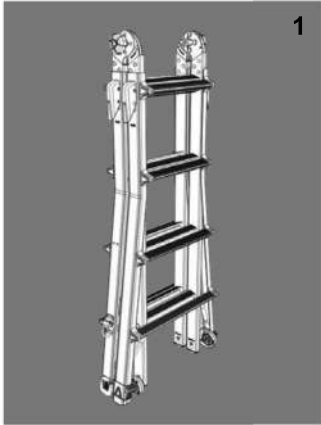
Operating Instructions for Little Giant® articulated extendable ladders

I. Introduction - LITTLE GIANT® Ladder Basics

EN

A. Articulated Extendable Ladder Unit - The ladder is comprised of three basic components - an inner ladder assembly and two outer assemblies which telescope over the inner.

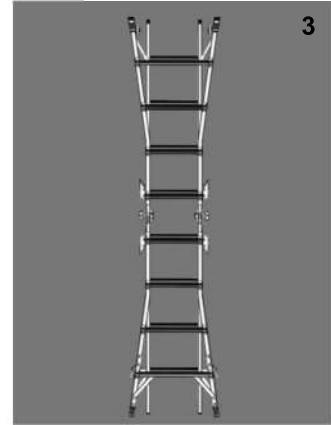
1. The inner assembly has 2 locking hinges which allow the ladder system to be used in the following configurations:



Storage

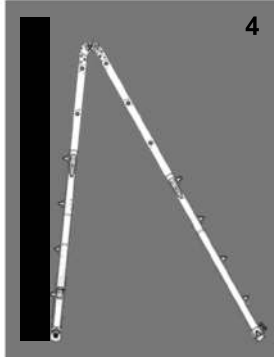


Stepladder

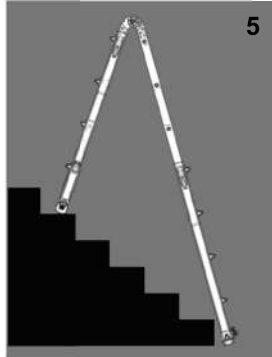


Straight Ladder

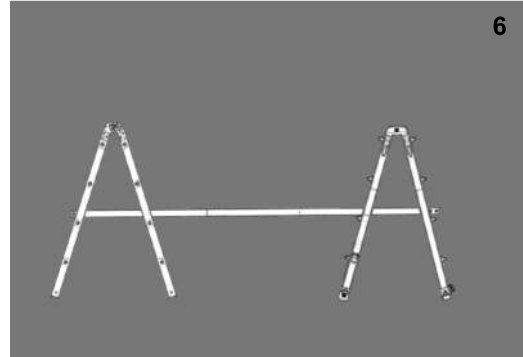
2. Locking mechanisms on the two outer assemblies permit the ladder to be adjusted in length. These locking mechanisms fit into any rung on the inner assembly, allowing rung-by-rung adjustment on either end of the ladder. In addition to being able to use the ladder in multiple sizes of the stepladder and straight ladder modes mentioned above, since the outer sections can be adjusted independently of one another, or completely removed from the inner, this allows for the following additional configurations.



90-degree



Staircase



Scaffolding Trestles

NOTE: Some models require optional trestle brackets in order for the ladder to be used as scaffolding trestles.

NOTE: Scaffolding plank sold separately.

B. Model Specification Table*

Model	Storage Height	Stepladder Height	Straight Ladder Height
M13	3' 7" [1.09 m]	3'-5' [0.9 m-1.5 m]	7'-11' [2.1 m-3.4 m]
M17	4' 7" [1.40 m]	4'-7' [1.2 m-2.1 m]	9'-15' [2.7 m-4.6 m]
M22	5' 7" [1.70 m]	5'-9' [1.5 m-2.7 m]	11'-19' [3.4 m-5.8 m]
M26	6' 7" [2.00 m]	6'-11' [1.8 m-3.4 m]	13'-23' [4.0 m-7.0 m]

* Since this is a general guide for multiple models, all specifications are approximate. For exact specifications of your particular model, please visit our website or contact our Customer Experience Team at 800-453 1192.

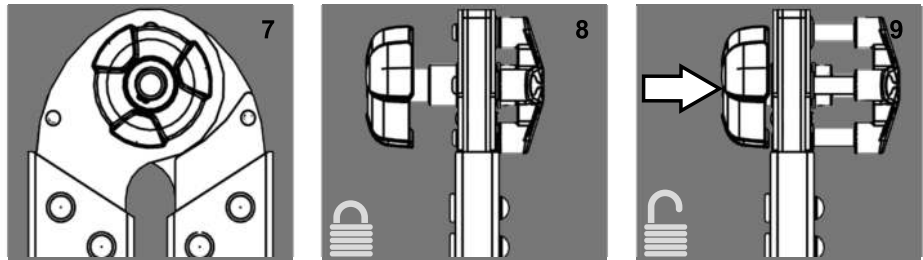
II. Operating and Adjusting the Ladder

A. The Hinges - Located at the top of the ladder when it is in the storage position. They permit you to alter the shape of the ladder.

1. Unlocking Hinge Locks - Depending on your particular ladder model, it will have one of the following hinge lock styles:

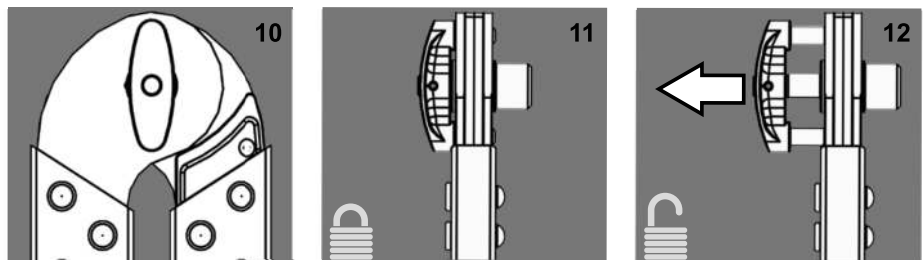
EN

a) Push-style



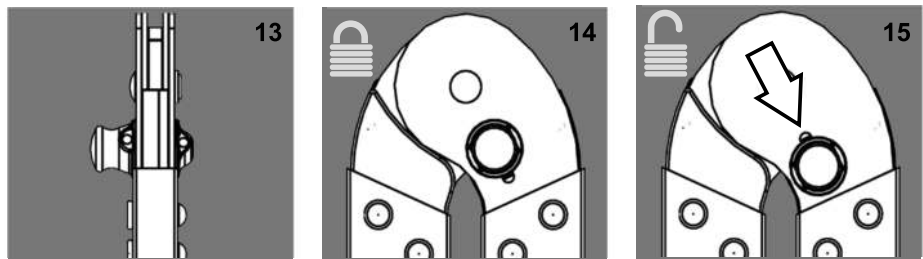
Unlock the hinges by pushing straight in on the palm buttons until they stay in the open (unlocked) position on both hinges (Fig. 9).

b) Pull-style



Unlock the hinges by pulling straight out on the hinge lock castings until they stay in the open (unlocked) position on both hinges (Fig. 12).

c) Slide-style



Unlock the hinges by sliding the knobs down until they stay in the open (unlocked) position on both hinges (Fig. 15).

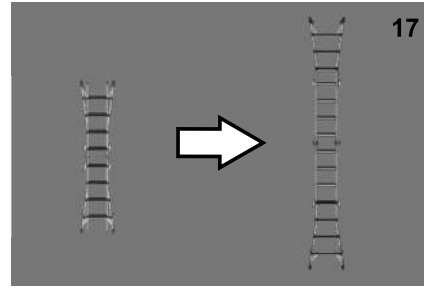
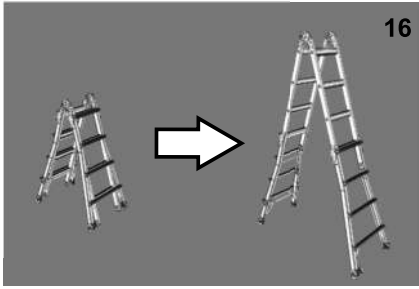
NOTE: If there is pressure on the hinge lock mechanism, it will be difficult to unlock the hinge. To relieve pressure, simply adjust one half of the ladder back and forth until the hinge lock moves with minimal force. **NEVER FORCE HINGE LOCK** in or out with any tools as it will cause permanent damage to the hinge mechanism. It should never require more than light pressure to unlock the hinge if the ladder is aligned properly.

2. Locking Hinge Locks - Move the ladder into the desired position. The hinge locks are spring-assisted and will spring into the closed (locked) position when hinge is rotated into the next ladder position.

WARNING: ALWAYS MAKE SURE BOTH HINGE LOCKS ARE COMPLETELY LOCKED BEFORE CLIMBING THE LADDER. FAILURE TO DO SO MAY RESULT IN INJURY OR DEATH.

NOTE: Never let the full weight of the ladder fall on the hinge lock as the ladder folds from the straight ladder mode to the stepladder mode. This will damage the hinges.

B. The Outer Ladder Locks - Located at the tops of the outer ladder assemblies. There are four of these on each ladder. They permit you change the height of the ladder (Fig. 16-17).

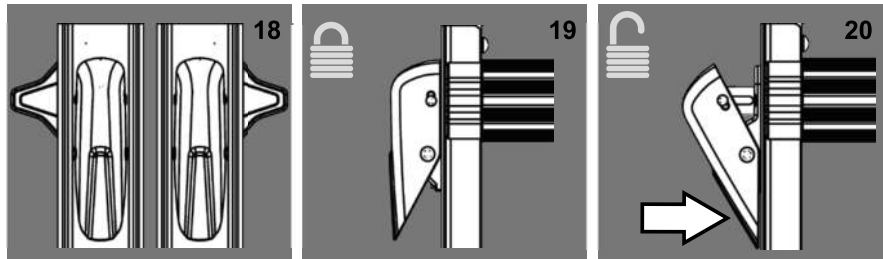


Since the outer ladder assemblies can be adjusted independently, setting them at different lengths is how you achieve the 90-degree and staircase modes. You can also completely remove the outer assemblies from the inner and link them together to create a scaffolding trestle.

WARNING: NEVER USE INNER LADDER AS A STEPLADDER OR STRAIGHT LADDER WITHOUT AT LEAST ONE FLARED OUTER BASE ATTACHED. NEVER USE INNER OR OUTER SECTIONS AS A SEPARATE STEPLADDER.

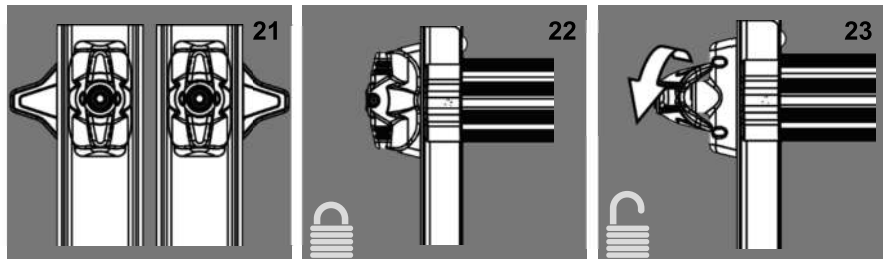
1. Unlocking Outer Ladder Locks - Depending on your particular ladder model, it will have one of the following outer ladder lock styles:

a) **ROCK LOCK®** fasteners



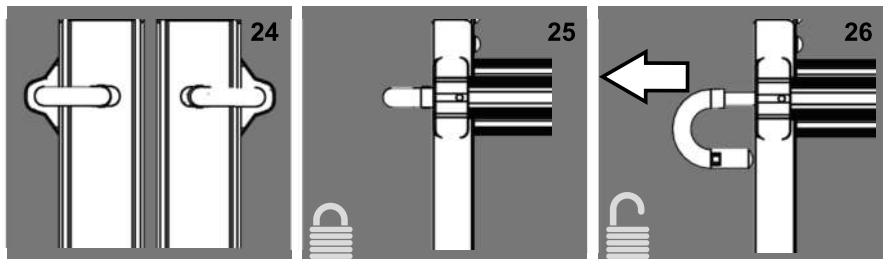
To unlock, press in on the bottom of the ROCK LOCK fastener until it clicks into the open (unlocked) position (Fig. 20).

b) **RAPID LOCK®** or **EZ LOCK™** fasteners



To unlock, twist and pull the RAPID LOCK or EZ LOCK fastener 90 degrees until it rests in the open (unlocked) position (Fig. 23).

c) Lock tabs



To unlock, pull the lock tab outward until it is completely removed from the rung hole, then rotate it away from the hole and release it. It will rest in the open (unlocked) position (Fig. 26).

WARNING: NEVER RELEASE ANY OF THE OUTER LADDER LOCKS IF ANYONE IS ON THE LADDER. ALWAYS MAKE SURE ALL OUTER LADDER LOCKS ARE FULLY LOCKED BEFORE CLIMBING. FAILURE TO DO SO MAY RESULT IN INJURY OR DEATH.

C. General Operating Safety Tips

WARNING: LITTLE GIANT LADDER SYSTEMS ASSUMES NO LIABILITY FOR DAMAGE OR INJURY THAT MAY RESULT FROM FAILING TO FOLLOW ALL INSTRUCTIONS CORRECTLY. LADDERS AND HEIGHTS ARE INHERENTLY DANGEROUS AND MAY CAUSE SERIOUS INJURY OR DEATH; HEED THE FOLLOWING SAFETY PRECAUTIONS:

EN

1. For your safety, set up the ladder so the rungs are level from front to back and from side to side.
2. To avoid pinching, keep clothing and body parts out of all moving mechanisms, including hinge locks and outer ladder locks, and away from rungs when telescoping the outer ladder assemblies over the inner ladder assembly.
3. Use extreme caution when using the ladder around electricity. Never let ladders of any material come in contact with live electrical circuits.
4. For your safety, never exceed the weight limit of the ladder. Depending on the model, your ladder has one of the following duty ratings:
 - a) 375 lb [170 kg] - Special Duty Type IAA (CSA Grade IAA)
 - b) 300 lb [136 kg] - Extra Heavy Duty Type IA (CSA Grade IA)
 - c) 250 lb [113 kg] - Heavy Duty Type I (CSA Grade I)
 - d) 150 kg - Industrial (AS/NZS models only)

This information can be found on the **NOTICE** label attached to the ladder.

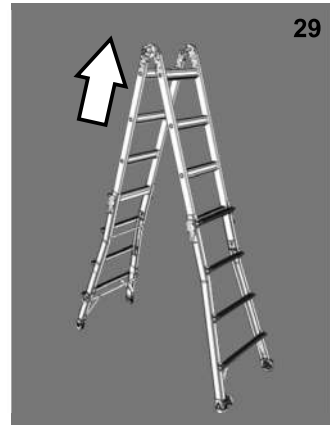
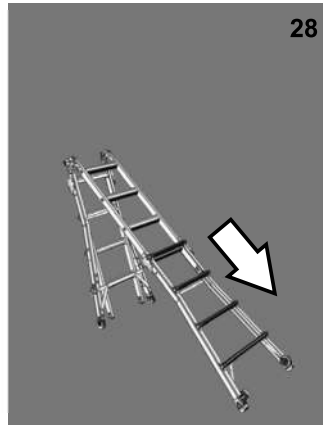
5. Keep all ladder rungs, ladder feet, platforms, and other standing and gripping surfaces clean and free from foreign materials (i.e. mud, paint, ice, oil, etc.).
6. Never lean too far over the side of the ladder and keep both feet on the rungs at all times; as a rule of thumb, keep your navel between the side rails.
7. Inspect ladder feet for wear; replace them when necessary.
8. Read all labels on the ladder before use. Replace labels if damaged or worn.
9. Never use ladder in high winds or storms.
10. Always face the ladder and use both hands when climbing up or down.
11. Inspect the ladder before each use. Never climb a damaged, bent or broken ladder. If you need replacement parts, remove the ladder from service and contact our Customer Experience Team at **800-453-1192**. Destroy the ladder if it cannot be repaired.
12. Never spend long periods on a ladder without regular breaks.
13. Wear sturdy slip-resistant shoes when climbing a ladder.



For additional safety training visit www.laddersafety.org

D. Stepladder Mode Instructions

1. Starting from the storage position, unlock both hinge locks (Fig. 7-15).
2. Pull the ladder open into the stepladder mode until the hinges lock into place (Fig. 27).
3. Unlock the four outer ladder locks (Fig. 18-26).
4. Begin extending the ladder by placing one hand on the hinge and tipping the ladder back. The outer ladder assembly will begin to slide down the inner ladder assembly (Fig. 28). Use your other hand to align the inner and outer rungs at the desired height, making sure to keep your hands to the outside of the ladder to avoid pinching as the rungs pass each other. Once at the desired height, lock the outer ladder locks completely into the inner rung holes before adjusting the other side.
5. To extend the other side, hold on to the hinges or inner ladder rails, and raise the inner ladder assembly (Fig. 29). Once at the desired height, use one hand to hold the inner and outer rungs in alignment, then use your other hand to lock the remaining outer ladder locks completely into the inner rung holes.

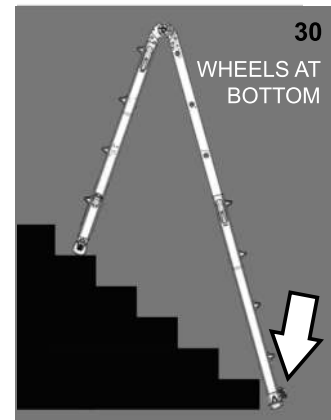


6. Make sure the ladder is level and all four feet are solidly planted before climbing.
7. To return the ladder to the storage position, reverse these steps, making sure to always hold the inner ladder assembly firmly in place as you release the outer lock assemblies, and keep your hands and clothing away from any moving parts.

WARNING: NEVER RELEASE THE OUTER LADDER LOCKS UNLESS FIRMLY HOLDING THE INNER LADDER ASSEMBLY TO PREVENT IT FROM SLIDING DOWN. THE LADDER CAN RETRACT QUICKLY AND MAY CAUSE INJURY. NEVER HAVE YOUR FEET DIRECTLY UNDER THE LADDER WHILE ADJUSTING IT.

E. Staircase Mode Instructions

1. Start with the ladder in the small stepladder mode. Adjust the outer ladder assemblies to fit the staircase while keeping the rungs approximately level front-to-back.
2. If equipped with TIP & GLIDE™ wheels, the wheels should be placed to the bottom, facing away from the stairs (Fig. 30).



F. Straight Ladder Mode Instructions

1. Starting from the small stepladder mode, release the hinge locks and rotate your ladder up into the straight ladder mode until the hinges lock. Then, lay the ladder face up on the ground near the wall it will be leaned against. If your ladder has TIP & GLIDE™ wheels, they must be positioned to the top of the ladder, so lay it out with the wheels pointed away from the wall (Fig. 31).
2. Unlock the outer ladder locks on the top outer ladder assembly and extend to the desired height. If extra height is needed, extend the bottom section as well (Fig. 32). When the ladder is at the desired height, fully lock all outer ladder locks.

EN

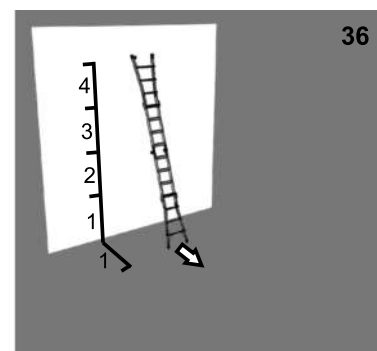
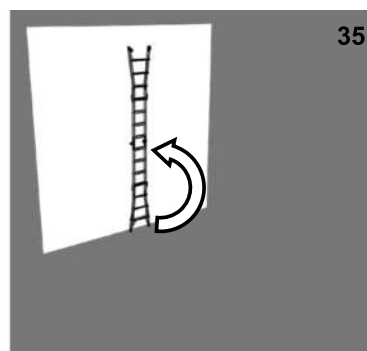
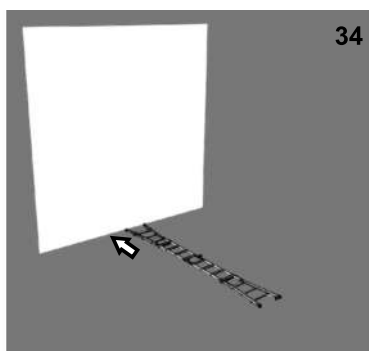
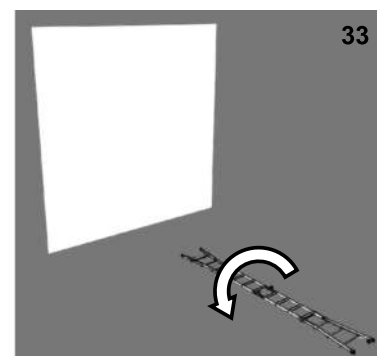
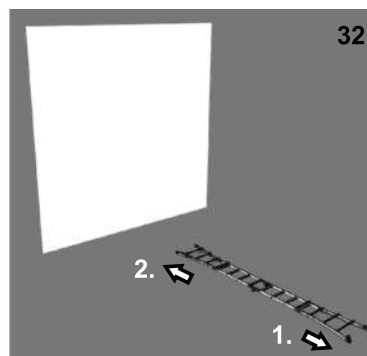
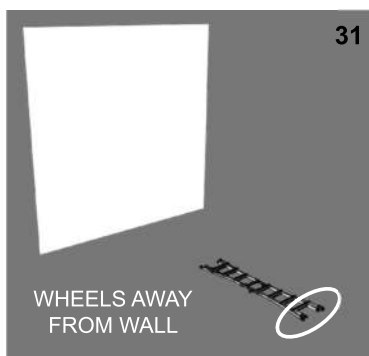
NOTE: Always extend the top outer ladder assembly first. It should be fully extended before the bottom section is extended.

3. Flip the ladder over, so the rungs are facing the ground (Fig. 33).
4. Slide the feet at the bottom of the ladder against the wall (Fig. 34).
5. Walk the ladder hand-over-hand, one rung at a time, until you are able to lean the ladder against the wall (Fig. 35).

NOTE: If you can't push the feet up against the base of the wall, utilize a second person to brace the feet as you stand the ladder up.

6. Carefully lift and pull the base of the ladder out from the wall until the ladder leans at the proper 75.5° climbing angle (the distance the feet should be out from the wall is 1/4 of the height of the ladder up to the point it rests on the wall).

WARNING: IF CLIMBING ONTO A ROOF OR ELEVATED PLATFORM, FOR YOUR SAFETY, THE LADDER MUST EXTEND THREE RUNGS ABOVE THE ROOF LINE OR PLATFORM. IN THE STRAIGHT LADDER MODE, ALWAYS STAKE THE FEET TO THE GROUND AND TIE OFF THE TOP OF THE LADDER FOR EXTRA SECURITY. NEVER STAND ABOVE THE SUPPORT POINT OR THE THIRD RUNG FROM THE TOP.

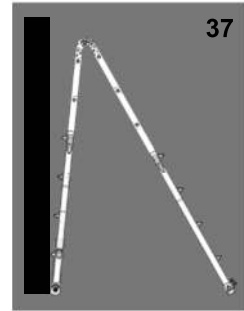


7. To take the ladder down, reverse these steps, taking care to maintain control of the ladder, making sure there are no tripping hazards behind you while walking it down.

G. 90-degree Mode Instructions

1. Starting from the stepladder mode, extend one outer ladder assembly one rung longer than the other side (Fig. 37). This allows the top of the ladder to be closer to the surface you're trying to reach, and lets you face your work, so you don't have to reach as far or twist your body.

WARNING: ALWAYS MAKE SURE THE LADDER IS ON A LEVEL SURFACE, AND THE SHORT SIDE OF THE LADDER IS AGAINST A SECURE WALL. NEVER OVER-REACH IN ANY DIRECTION OR CLIMB THE VERTICAL SIDE OF THE LADDER; THIS COULD CAUSE THE LADDER TO TIP AND MAY RESULT IN INJURY OR DEATH.

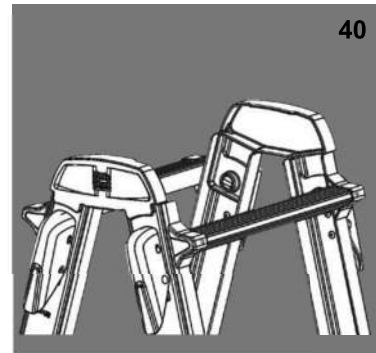
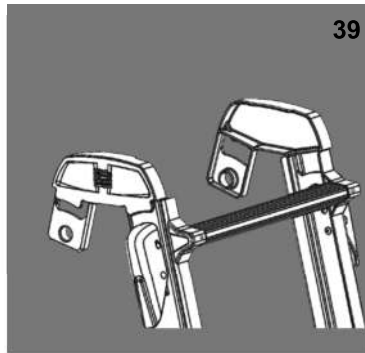
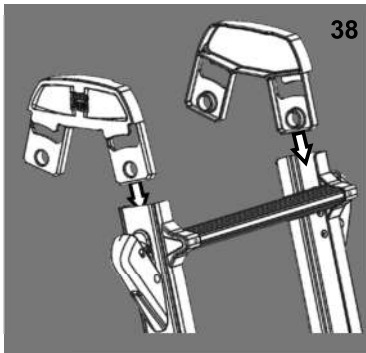


H. Scaffolding Trestle Mode Instructions

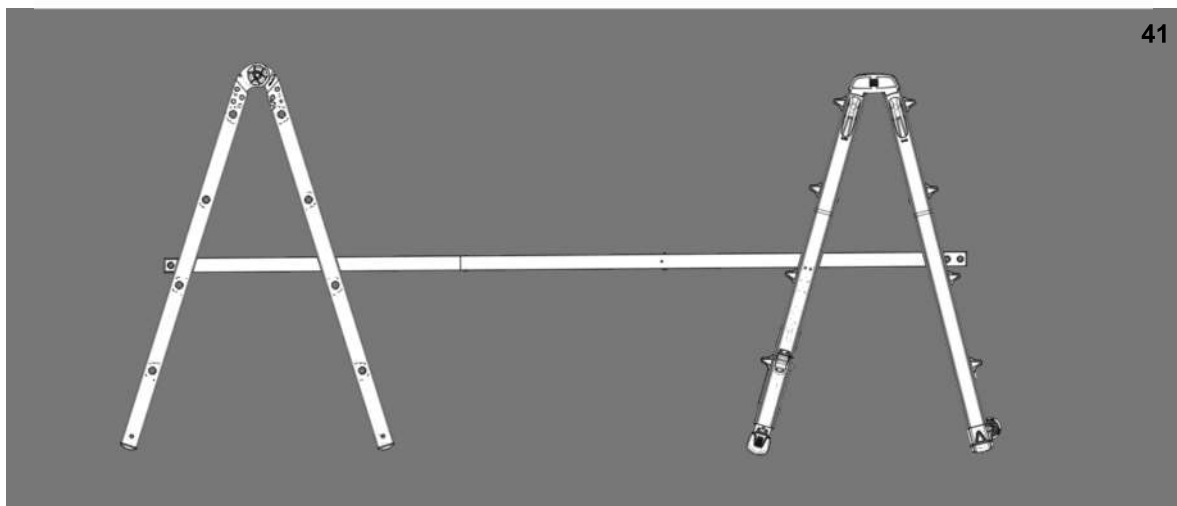
NOTE: If your ladder has ROCK LOCK®, RAPID LOCK® or EZ LOCK™ fasteners, additional trestle brackets are required to achieve this mode. Trestle brackets can also be used on ladders with lock tabs, but are not required.

1. Trestle Bracket Method Setup

- a) Starting from the small stepladder mode, unlock the outer lock assemblies and completely remove both outer ladder assemblies from the inner ladder assembly. Set the inner ladder assembly aside; it makes up the first of the two trestles.
- b) Insert the trestle brackets into the tops of one outer ladder assembly with the tabs on the brackets facing outward, then lock the outer lock assemblies, and then repeat for the other outer ladder assembly (Fig. 38-40). The second trestle is now ready.



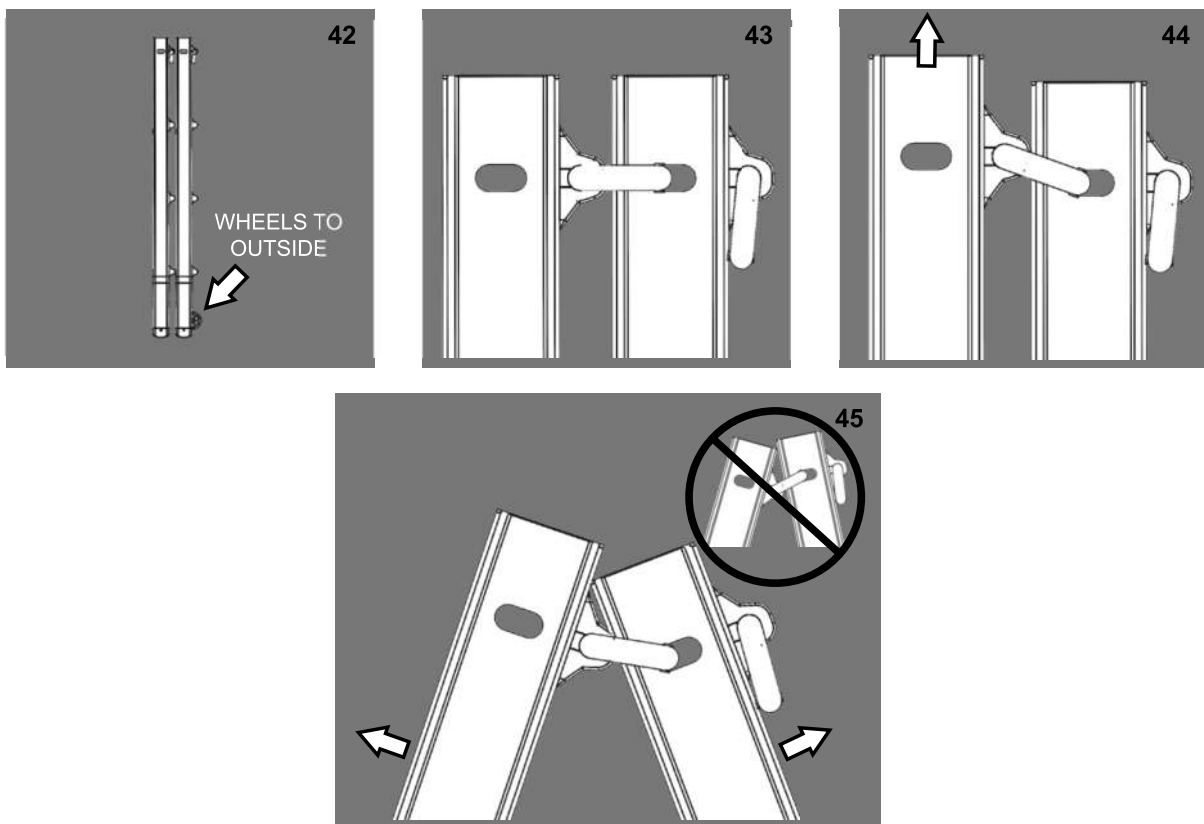
- c) Space the two trestles out and place a sturdy wooden plank or LITTLE GIANT plank (sold separately) between them at the desired height (Fig. 41).



2. Traditional Method Setup (Lock Tabs Only)

- Starting from the small stepladder mode, unlock the outer ladder locks, and completely remove both outer ladder assemblies from the inner ladder assembly. Set the inner ladder assembly aside; it makes up the first of the two trestles.
- Turn the two outer ladder assemblies so they are facing the same direction, then hold them together and stand them up vertically. If your ladder has TIP & GLIDE™ wheels, position the outer ladder assemblies so the wheels face out (Fig. 42).
- Take the lock tabs from the back outer ladder assembly and lock them into the holes on the front section (Fig. 43).
- To form the second trestle, lift up slightly on the back section, and then pull the two sections out into an A-frame position (Fig. 44-45).

NOTE: If this step is done incorrectly, you will damage your ladder and void your warranty.



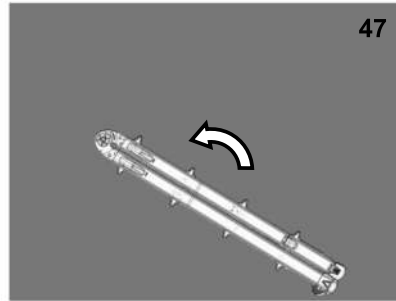
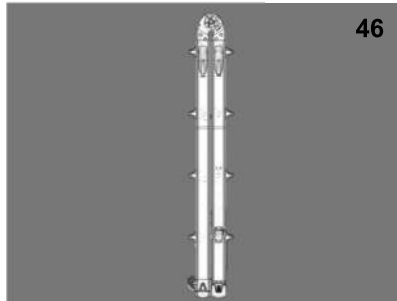
3. Additional Scaffolding Trestle Safety Information

- Regardless of your ladder's duty rating (Type I, IA, or IAA), when used as a scaffolding system, for your safety, do not exceed your plank duty rating.
- Never use either of the trestles as individual stepladders.
- ANSI and CSA rules state that the scaffolding plank should not be used as a standing platform at heights greater than three times the minimum width of the base section. As such, only use the plank as a standing platform up to the third rung. If the plank is above the third rung, it may be used as a work bench, but not a standing platform, and it should be secured or guyed for stability.
- If your plank is not equipped with cleats or hooks, extend the ends of the plank at least 6" [15 cm], but not more than 12" [30 cm], past the support point, and never stand on the cantilevered ends of the plank.
- When reassembling the ladder, make sure the outer rungs point outward.

I. TIP & GLIDE™ Wheel Instructions

Note: Depending on your ladder model, the TIP & GLIDE wheels may or may not be included or available.

1. With the ladder in its storage position, hold the ladder by the top outer rung and tip the ladder until the wheels make contact and the feet lift up off the ground (Fig. 47). The ladder can now be freely wheeled across flat hard surfaces by pulling it behind you.



WARNING: WHEELS SHOULD ALWAYS BE TO THE TOP IN THE STRAIGHT LADDER MODE, POINTED AWAY FROM THE STAIRS IN THE STAIRCASE MODE, AND FACING OUTWARD IN THE SCAFFOLDING TRESTLE MODE. FAILURE TO DO SO MAY CAUSE THE WHEELS TO CONTACT THE GROUND UNEXPECTEDLY AND CAUSE INJURY.

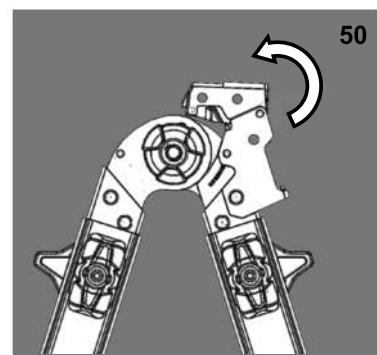
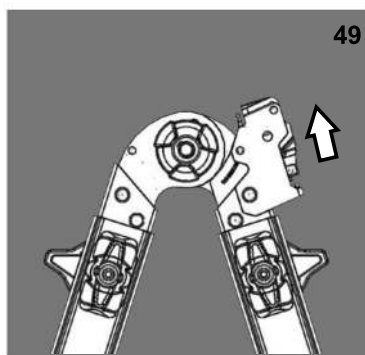
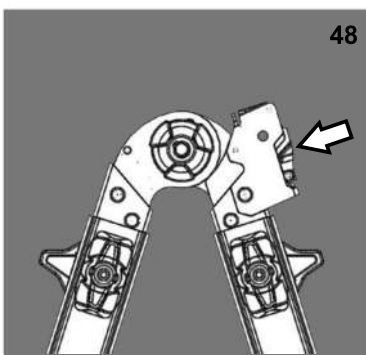
J. AIRDECK® Workstation Instructions

Note: Accessory ports are required to utilize the AIRDECK workstation. Depending on your ladder model, the ports and the workstation may or may not be included or compatible.

1. The accessory ports are located on the hinges of the ladder. Depending on your ladder model, they can be either fixed-position or 2-position ports. The fixed-position ports allow you to use the AIRDECK workstation in the vertical safety handrail position, either with or without using the tool tray. The 2-position ports also allow you to use the workstation as a lower horizontal tool tray, without using it as a safety handrail.

a) 2-position accessory port instructions

- 1) Slide the insert upward (Fig. 49). This will unlock the port and allow it to be repositioned.
- 2) Rotate up and back until it swings all the way around and clips in place (Fig. 50).



- 3) To return the port to the original position, reverse these steps, starting by pulling up until the port unclips, and making sure the port is latched in the locked position when finished.

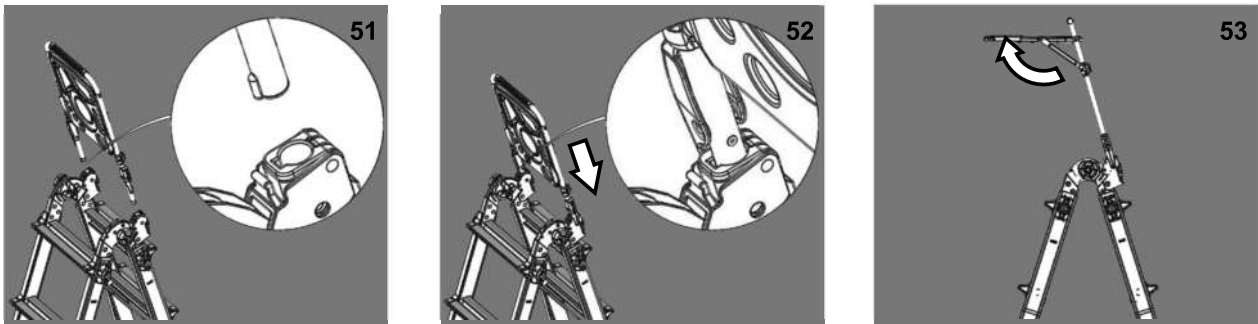
WARNING: PORTS MUST BE SET AND LOCKED IN THEIR DESIRED POSITIONS BEFORE INSERTING THE WORKSTATION. NEVER ADJUST THE PORTS WHEN THE WORKSTATION IS IN USE.

2. Using the AIRDECK workstation

- a) The AIRDECK workstation can only be used with the ladder in the stepladder and staircase modes. Notice the keyhole shape in the top of the port (Fig. 51). There is a matching plug in the end of one workstation leg, which prevents it from being mounted incorrectly.
- b) Slide the ends of the workstation into the ports and press down until the locks engage (Fig. 52). With the fixed-position ports, and 2-position ports in the vertical position, the workstation can now be used as a safety handrail for more security when working at the top of the ladder and allows for standing access on the second rung from the top.

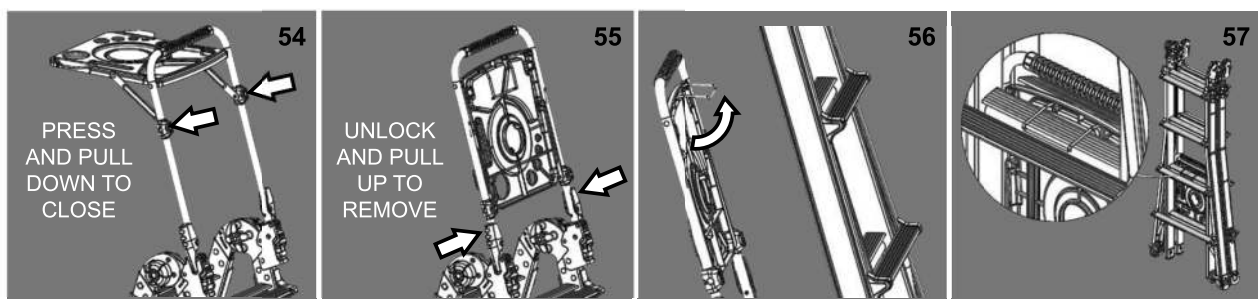
WARNING: NEVER STAND ON THE SECOND RUNG FROM THE TOP WITHOUT THE WORKSTATION IN THE SAFETY HANDRAIL POSITION, AND NEVER STAND ON THE TOP RUNG. ALWAYS MAKE SURE THE WORKSTATION IS FULLY LOCKED INTO THE PORTS BEFORE USING.

- c) To utilize the workstation in the safety handrail position, rotate the tray up and back until the locks on both support arms engage (Fig. 53). To use the tool tray in the horizontal position, simply insert the workstation when the 2-position ports are in the horizontal position.



WARNING: NEVER STAND OR SIT ON THE TOOL TRAY. IT HAS A RATING OF 25 lb [11 kg]; NEVER EXCEED THIS RATING. THE SAFETY HANDRAIL IS FOR EXTRA STABILITY ONLY, NEVER LEAN OR PULL ON THE HANDRAIL WITH EXCESSIVE FORCE. NEVER USE THE AIRDECK WORKSTATION WITH THE LADDER IN THE 90-DEGREE MODE.

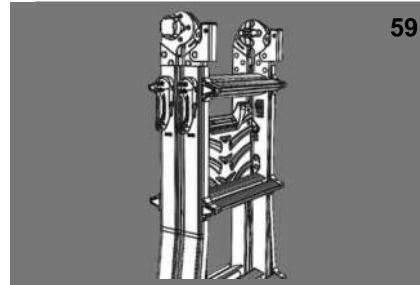
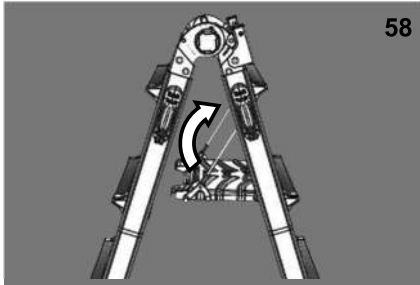
- d) To return the tool tray to its stored position, press in the buttons at the ends of the support arms to release the locks, then slide the button housings downward to retract the tray (Fig. 54).
- e) To remove, press in and hold the tops of the locks, then lift upward (Fig. 55).
- f) To store, rotate the metal hanger under the tool tray out (Fig. 56), and hang the AIRDECK workstation on the inside of the ladder on an inner rung. Then close the ladder into its storage position (Fig. 57).



K. COMFORT STEP™ Platform Instructions

Note: Depending on your ladder model, the COMFORT STEP platform may or may not be included or available. If your ladder is equipped with the COMFORT STEP platform, it will also be equipped with the accessory ports.

1. If your ladder is equipped with the COMFORT STEP platform, it will automatically deploy into its in-use position when the ladder is opened from the storage position to the stepladder mode.
2. To store the platform, pull up and inward on the rubber handle as you close the ladder into its storage position (Fig. 58-59).



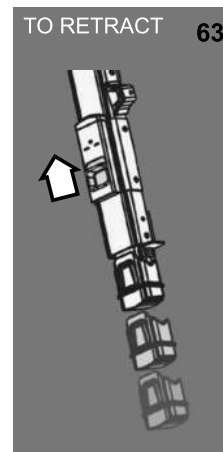
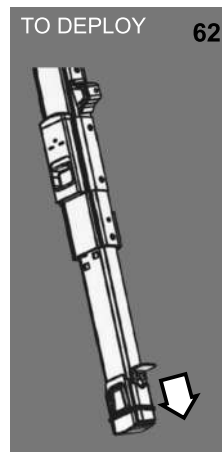
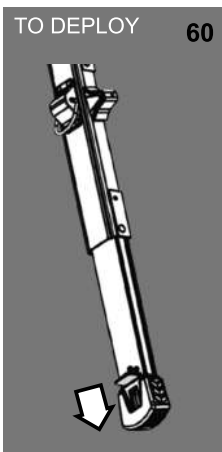
3. When reassembling the ladder after using it in the scaffolding trestle mode, if your ladder has TIP & GLIDE™ wheels, the outer ladder assembly with the wheels should be installed on the inner ladder half opposite of the COMFORT STEP platform.

WARNING: NEVER STAND ON THE COMFORT STEP PLATFORM IN THE STEPLADDER OR STAIRCASE MODE WITHOUT THE AIRDECK WORKSTATION IN THE SAFETY HANDRAIL POSITION. NEVER STAND ON THE PLATFORM IN THE 90-DEGREE MODE. WHEN SETTING THE LADDER UP IN THE STRAIGHT LADDER MODE, MAKE SURE THE PLATFORM IS ON THE LOWER HALF OF THE LADDER.

L. RATCHET™ Leveler Instructions

Note: Depending on your ladder model, the RATCHET levelers may or may not be included or available, or may be one of two styles: D-ring release or slider release.

1. To deploy the RATCHET levelers, on uneven surfaces, look for the ladder foot that is not touching the ground while holding your ladder with the rungs level, then press down on the kick plate of that RATCHET leveler leg with your toe until its foot contacts the ground (Fig. 60 or 62). Spring-loaded pins will lock the leg in position approximately every 7/16" [11 mm] up to the maximum length of the leg, which may vary by model.
2. To retract the RATCHET levelers, after you are off the ladder, pull out on the D-rings (Fig. 61) or pull up on the slider (Fig. 63) and the RATCHET leveler legs will return to their storage position.



D-ring release

Slider release

Note: In the straight ladder mode, make sure the RATCHET™ Levelers are on the ground.

WARNING: NEVER PULL THE D-RINGS OR SLIDERS IF ANYONE IS ON THE LADDER; DOING SO MAY RESULT IN INJURY OR DEATH. THE RATCHET LEVELERS ARE FOR LEVELING ONLY, AND NOT TO BE USED TO GAIN ADDITIONAL HEIGHT. TO AVOID MISSTEPS, KEEP THE BOTTOM RUNG AT APPROXIMATELY 12" [30 cm] FROM THE GROUND.

EN

III. Ladder Maintenance Instructions

A. General Ladder Maintenance Instructions

1. To ensure smooth operation, lubricate the hinge locks and outer ladder locks with a dry lubricant at least every six months, and prior to long term storage. This should be performed more often as use dictates, and under extreme weather conditions. We recommend B'laster® advanced dry lube. If you need further assistance, please call our Customer Experience Team at **800-453-1192**.

DO NOT USE GRAPHITE LUBRICANTS, AS THEY CAN POTENTIALLY PROMOTE CORROSION.

WARNING: KEEP ALL LADDER RUNGS, LADDER FEET, AND ALL STANDING SURFACES FREE FROM ANY LUBRICANTS.

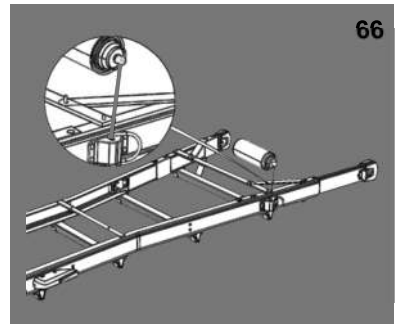
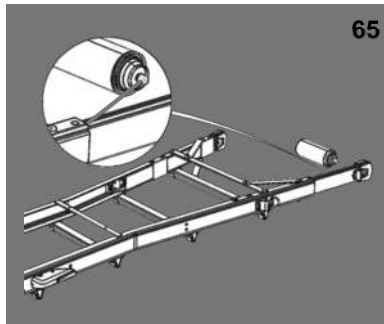
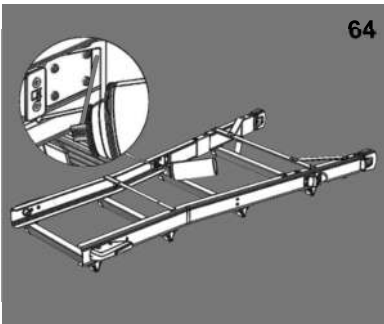
2. Always store the ladder in a dry location out of the weather.
3. Keep the rails clean so the ladder will slide easily.
4. Keep the hinge locks and outer ladder locks free of dirt, salt spray, or other contaminants that could prevent proper operation.
5. Replace the inner and outer feet as required to ensure safety.
6. Check all components to be sure they operate correctly.
7. Replace safety labels when they become obscure, defaced, missing, or difficult to read.

B. RATCHET Leveler Lubrication Instructions

Note: If your ladder is equipped with RATCHET levelers, they should be lubricated at the same interval and with the same dry lubricant as the hinge locks and outer ladder locks, as mentioned above.

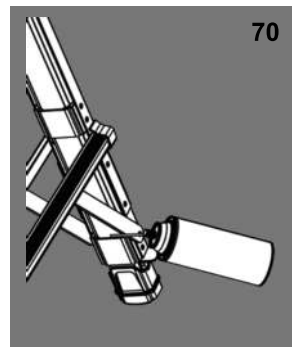
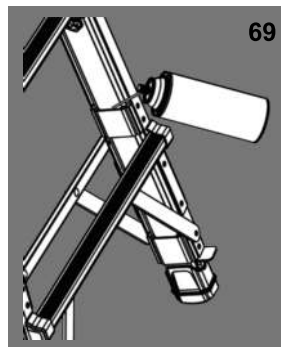
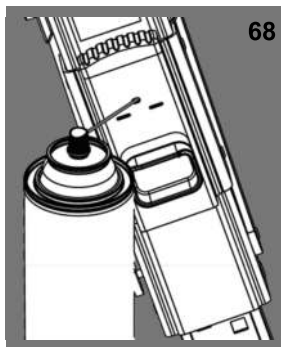
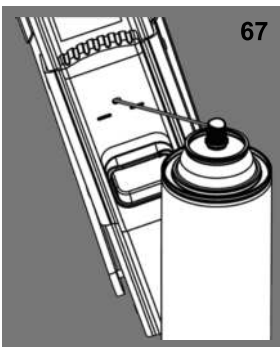
1. D-ring release lubrication instructions

- a) Start by removing the outer ladder assembly with the RATCHET Levelers from the inner ladder assembly.
- b) Generously apply the dry lubricant inside the tops of the leveler legs, coating the inside of the faces with the holes for the locking pins (Fig. 64).
- c) Extend the RATCHET levelers, and generously apply the dry lubricant to all external surfaces of the leveler legs, making sure not to get any of the lubricant on the ladder feet (Fig. 65).
- d) Generously apply the dry lubricant to the insides of the D-ring housings located on the outer ladder assembly side rails (Fig. 66).
- e) Wipe off any excess lubricant from all areas with a dry rag before retracting the RATCHET levelers and returning the ladder to service.



2. Slider release lubrication instructions

- a) Start by removing the outer ladder assembly with the RATCHET Levelers from the inner ladder assembly.
- b) Generously apply the dry lubricant inside the small center hole above the RATCHET leveler release slider, angling both to the left and the right (Fig. 67-68).
- c) Spray where the leveler leg slides along the upper and lower brackets inside the outer ladder rails, making sure not to get any of the lubricant on the ladder feet (Fig. 69-70), then extend and retract the legs several times.
- d) Wipe off any excess lubricant from all areas with a dry rag before retracting the RATCHET levelers and returning the ladder to service.



IV. Little Giant Warranty

Note: Different ladder models have different warranty periods. To find the duration of the warranty for your particular ladder, check the **NOTICE** label on your ladder, visit www.LittleGiantLadders.com/warranties or contact our Customer Experience Team. You can register your product by going online to www.LittleGiantLadders.com/registration or by calling our Customer Experience Team at 800-453-1192.

EN

Little Giant Warranty Terms and Conditions

Little Giant Ladder Systems warrants each new product to the original purchaser thereof, to be free from defects in workmanship and materials when operated under normal conditions and maintained properly. This warranty covers all parts of the product, and shall be in lieu of any other warranty, expressed or implied, including, but not limited to, any implied warranty of merchantability or fitness for a particular purpose.

In the unlikely event that within the warranty period from the date of the original purchase, there is a problem caused by defects in either workmanship or materials, Little Giant Ladder Systems will repair or replace, at its option and without cost to the original purchaser. All freight to and from the factory is to be paid by the customer. If a replacement is necessary and your product is no longer available, a comparable product will be substituted.

The liability of Little Giant Ladder Systems under this warranty shall be limited solely to the repair or replacement of the product within the warranty period. Little Giant Ladder Systems shall not be liable, under any circumstances, for consequential or incidental damages, including, but not limited to, personal injury or labor costs. Some states do not allow the exclusion of incidental or consequential damages, so the above limitations or exclusions may not apply to you. This warranty gives you specific legal rights, and you may have other rights which vary from state to state.

Under no circumstances will Little Giant Ladder Systems be responsible for any expense in connection with any repairs made by anyone other than the factory or authorized service provider, unless such repairs have been specifically authorized in writing by Little Giant Ladder Systems. This warranty applies only to North America. Manufacturing specifications are subject to change without notice.

A. Government, Fire, and Military ladder replacement requirements

1. Due to the extreme usage and conditions our ladders are subjected to in Government, Fire, and Military applications, to help assure user safety, ladders must be retired and replaced five years from the date of purchase.

V. Standards Compliance and Certifications

A. ANSI (American National Standards Institute)

1. All LITTLE GIANT® articulated extendable ladders are built and tested to meet or exceed all applicable criteria of ANSI-ASC A14.2 (aluminum) or ANSI-ASC A14.5 (fiberglass) standards.

B. OSHA (Occupational Safety and Health Administration)

1. All LITTLE GIANT® articulated extendable ladders are built and tested to meet or exceed all applicable criteria of OSHA ladder standards 29 CFR 1910.26 and 29 CFR 1926.1053.

C. CSA (Canadian Standards Association)

1. Several LITTLE GIANT® articulated extendable ladders are CSA Z11 certified. To view the full list of certified products, visit www.LittleGiantLadders.com/csa.

D. AS/NZS (Standards Australia and Standards New Zealand)

1. Some LITTLE GIANT® articulated extendable ladders are AS/NZS 1892 certified with a 150 kg rating. To view the full list of certified products, visit www.LittleGiantLadders.com/as-nzs.

E. NFPA (National Fire Protection Agency)

1. The LITTLE GIANT® OVERHAUL™ and DEFENDER™ models are tested and certified as compliant with NFPA 1931:2020 and NFPA 1932:2020, Standard of Use, Maintenance, and Service Testing of In-Service Fire Department Ground Ladders.

F. ISO (Insurance Services Office)

1. The LITTLE GIANT® OVERHAUL™ and DEFENDER™ models meet ISO requirements for credit on pumpers, quints and ladder apparatus.

G. MIL-SPEC

1. The LITTLE GIANT® AIRCRAFT SUPPORT™ models comply with MIL-L-85896(AS).

VI. Legal Notices

LITTLE GIANT is a registered trademark of Wing Enterprises, Inc., and is registered in the United States, European Union, Australia, Canada, China, Hong Kong, Iceland, Israel, Japan, Malaysia, New Zealand, South Korea, Singapore, Taiwan, and Thailand. LITTLE GIANT LADDER SYSTEMS, ONE LADDER DOES IT ALL, AIRDECK, ROCK LOCK and RAPID LOCK are registered trademarks of Wing Enterprises, Inc. in the United States.

EZ LOCK, TIP & GLIDE, COMFORT STEP, RATCHET, OVERHAUL, DEFENDER, AIRCRAFT SUPPORT, BUILT FOR THOSE WHO GET STUFF DONE, and PREVENTING INJURIES, SAVING LIVES are trademarks of Wing Enterprises, Inc.

The American Ladder Institute logo is a registered trademark of the American Ladder Institute.

B'laster is a registered trademark of The B'laster Corporation. Neither Little Giant Ladder Systems nor Wing Enterprises, Inc. are associated with The B'laster Corporation, or their affiliates.

Your LITTLE GIANT ladder may be protected by one or more US or international patents, and or may have additional patents pending. Visit www.LittleGiantLadder.com/patents for details. This web page is provided in compliance with the virtual patent marking provisions of the America Invents Act.

HERE AT LITTLE GIANT, OUR MISSION IS

**PREVENTING INJURIES,
SAVING LIVES™**

EN

YOUR SAFETY IS OUR TOP PRIORITY!

**FOR YOUR SAFETY, GO THROUGH THE FOLLOWING INSPECTION
CHECKLIST BEFORE EACH USE.**

NEVER CLIMB A DAMAGED, BENT, OR BROKEN LADDER!

PREOPERATIONAL LADDER INSPECTION CHECKLIST

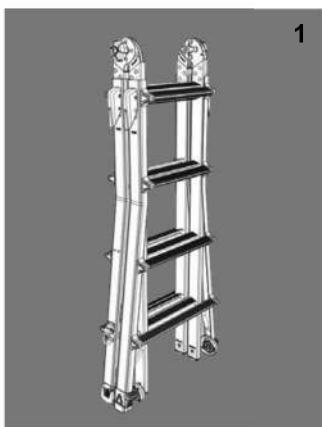
- There are no missing parts, and all rivets and/or fasteners are tight and secure.
- The rungs and rails are in good condition with no cracks, twists, bends or large dents.
- All four feet sit flat on a level floor with the ladder in the stepladder position, and the ladder does not wobble.
- The feet are all present and in good condition, and the tread is not worn through.
- The hinge locks function properly, and fully lock into the storage, stepladder, and straight ladder modes.
- The outer ladder locks function properly, and fully lock into the inner rungs.
- The outer ladder assemblies slide smoothly along the inner ladder assembly.
- All safety labels are present and legible.
- If applicable, any other additional components, such as RATCHET™ levelers, function and lock properly.

IF YOU ENCOUNTER ANY ISSUES DURING THE INSPECTION, REMOVE THE LADDER FROM SERVICE UNTIL THE NECESSARY REPAIRS HAVE BEEN MADE. PLEASE CONTACT OUR CUSTOMER EXPERIENCE TEAM AT 800-453-1192 FOR REPLACEMENT PART AND WARRANTY INFORMATION. DESTROY THE LADDER IF IT CANNOT BE REPAIRED.

I. Introduction - Éléments de base de l'échelle LITTLE GIANT®

A. Unité d'échelle articulée extensible - L'échelle comprend trois composants de base - l'assemblage d'échelle interne et deux assemblages externes qui peuvent être mis en extension au-dessus de l'échelle interne.

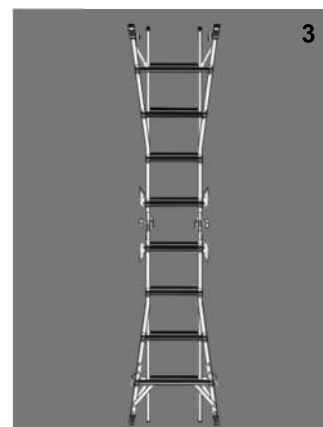
1. L'assemblage interne possède 2 charnières à verrouillage qui permettent au système d'échelle d'être utilisé selon les configurations suivantes :



Entreposage



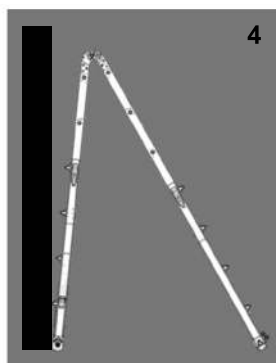
Escabeau



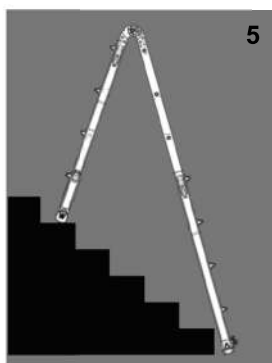
Échelle droite

FR

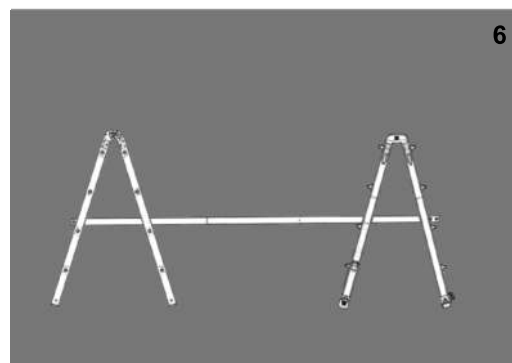
2. Les mécanismes de verrouillage sur les deux assemblages externes permettent à l'échelle d'être ajustée en hauteur. Ces mécanismes de verrouillage font dans n'importe quel trou d'échelon sur l'assemblage interne, permettant un ajustement échelon par échelon à chacune des extrémités de l'échelle. En plus de pouvoir utiliser l'échelle selon différentes configurations de longueur pour les modes escabeau et échelle droite et puisque les sections externes peuvent être ajustées indépendamment les unes des autres ou complètement enlevées de la section interne, ceci permet d'offrir les configurations supplémentaires suivantes.



90 degrés



Escalier



Chevalets d'échafaudage

REMARQUE : Certains modèles nécessitent des fixations du chevalet optionnelles de manière à pouvoir l'utiliser comme chevalet d'échafaudage.

REMARQUE : Madrier vendu séparément.

B. Tableau de spécification du modèle*

Modèle	Hauteur d'entreposage	Hauteur de l'escabeau	Hauteur de l'échelle droite
M13	1.09 m [3 pi. 7 po.]	0.9 m–1.5 m [3 pi.–5 pi.]	2.1 m–3.4 m [7 pi.–11 pi.]
M17	1.40 m [4 pi. 7 po.]	1.2 m–2.1 m [4 pi.–7 pi.]	2.7 m–4.6 m [9 pi.–15 pi.]
M22	1.70 m [5 pi. 7 po.]	1.5 m–2.7 m [5 pi.–9 pi.]	3.4 m–5.8 m [11 pi.–19 pi.]
M26	2.00 m [6 pi. 7 po.]	1.8 m–3.4 m [6 pi.–11 pi.]	4.0 m–7.0 m [13 pi.–23 pi.]

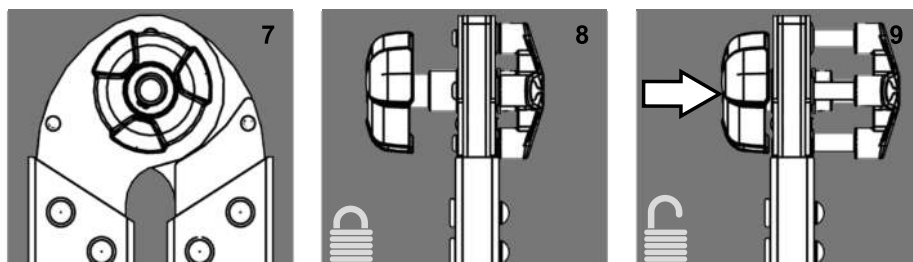
* Puisqu'il s'agit d'un guide général pour différents modèles, toutes les spécifications sont approximatives. Pour obtenir les spécifications exactes de votre modèle, veuillez visiter notre site Web ou communiquez avec l'équipe du service à la clientèle au **800-453 1192**.

II. Utiliser et ajuster l'échelle

A. Les charnières - Situées dans le haut de l'échelle lorsque celle-ci est en position d'entreposage. Elles vous permettent de modifier la configuration de l'échelle.

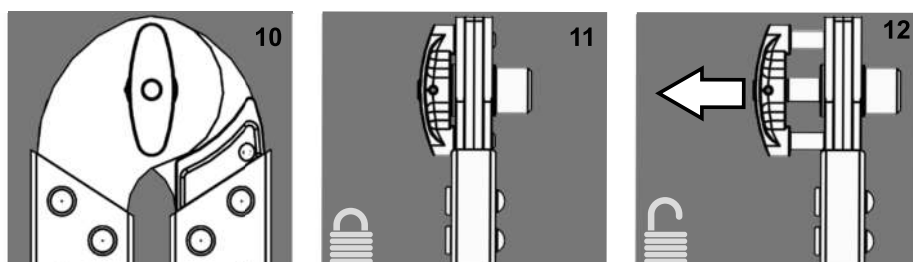
1. Déverrouillage du dispositif de retenue - Selon votre modèle d'échelle en particulier, il aura l'un des modèles de dispositif de retenue suivant :

a) À pousser



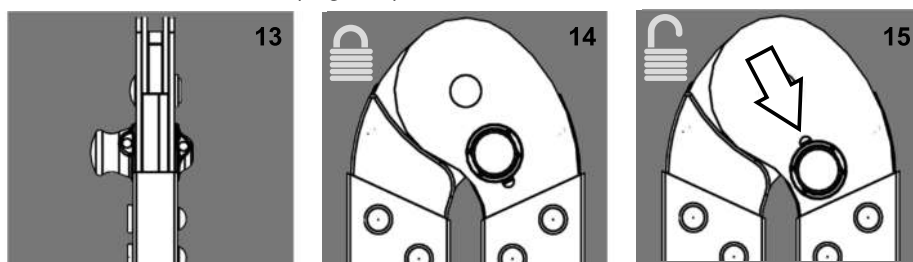
Déverrouillez les charnières en poussant en ligne droite sur les boutons-poussoirs jusqu'à ce qu'ils demeurent en position ouverte (déverrouillés) sur les deux charnières (Fig. 9).

b) À tirer



Déverrouillez les charnières en tirant en ligne droite sur les dispositifs de retenue jusqu'à ce qu'ils demeurent en position ouverte (déverrouillés) sur les deux charnières (Fig. 12).

c) À glissière



Déverrouillez les charnières en glissant les boutons de verrouillage jusqu'à ce qu'ils demeurent en position ouverte (déverrouillés) sur les deux charnières (Fig. 15).

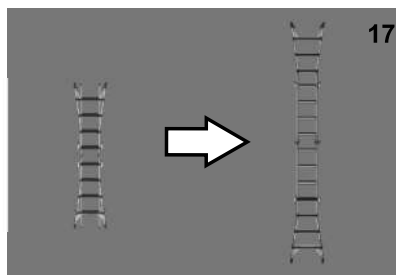
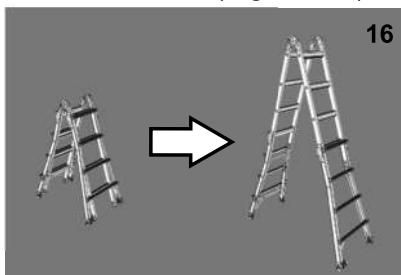
REMARQUE : Il sera difficile de déverrouiller la charnière si une pression est appliquée sur le mécanisme du dispositif de retenue. Pour enlever la pression, ajustez simplement la moitié de l'échelle à l'aide d'un mouvement de va-et-vient jusqu'à ce que le dispositif de retenue se dégage facilement. **NE FORCEZ JAMAIS LE DISPOSITIF DE RETENUE** avec aucun outil pour le sortir ou le faire pénétrer puisque cela pourrait causer des dommages permanents au mécanisme de la charnière. Une simple pression légère devrait être suffisante pour déverrouiller la charnière si l'échelle est bien alignée.

2. Verrouiller le dispositif de retenue - Déplacez l'échelle à la position désirée. Les dispositifs de retenue sont assistés par des ressorts et retourneront en position fermée (verrouillée) lorsque la charnière est déplacée dans la position suivante de l'échelle.

AVERTISSEMENT : ASSUREZ-VOUS TOUJOURS QUE LES DEUX DISPOSITIFS DE RETENUE SONT COMPLÈTEMENT VERROUILLÉS AVANT DE GRIMPER DANS L'ÉCHELLE. OMETTRE DE LE FAIRE POURRAIT ENTRAÎNER DES BLESSURES OU LA MORT.

NOTE: Ne laissez jamais le poids complet de l'échelle appliqué sur le dispositif de retenue lorsque l'échelle se plie du mode échelle droite vers le mode escabeau. Ceci endommagera les charnières.

B. Système de verrouillage pour l'échelle externe - Situé sur le dessus de l'assemblage externe de l'échelle. Il y en a quatre sur chaque échelle. Ils vous permettent de changer la hauteur de l'échelle (Fig. 16-17).

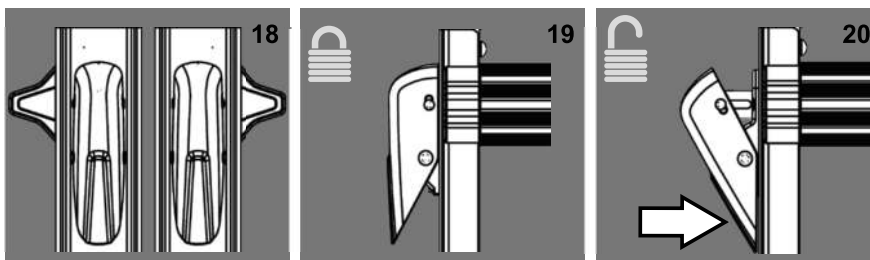


Puisque l'assemblage externe de l'échelle peut être ajusté de manière indépendante, vous pouvez les configurer en mode escalier et à 90 degrés en les positionnant à différentes longueurs. Vous pouvez aussi complètement enlever les assemblages externes de ceux extérieurs et les relier ensemble pour créer un chevalet d'échafaudage.

AVERTISSEMENT : NE JAMAIS UTILISER L'ASSEMBLAGE INTÉRIEUR DE L'ÉCHELLE COMME ESCABEAU OU ÉCHELLE DROITE SANS AVOIR AU MOINS UNE BASE EXTERNE ÉVASÉE D'INSTALLÉE. NE JAMAIS UTILISER LES SECTIONS INTERNES OU EXTERNES COMME ÉCHELLE SÉPARÉE.

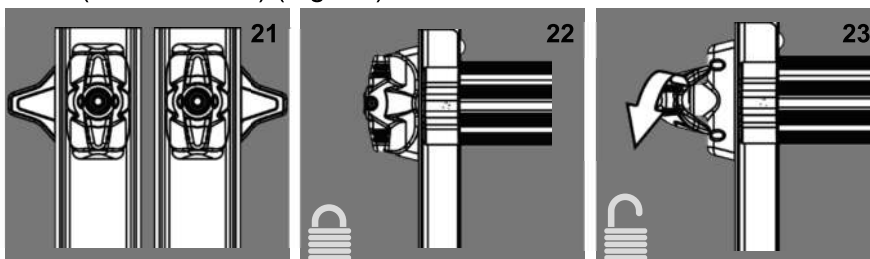
1. Déverrouillage du système de verrouillage pour l'échelle externe - Selon votre modèle d'échelle spécifique, il aura l'un des modèles de système de verrouillage pour l'échelle suivant :

a) Barrure poussoir
ROCK LOCK®



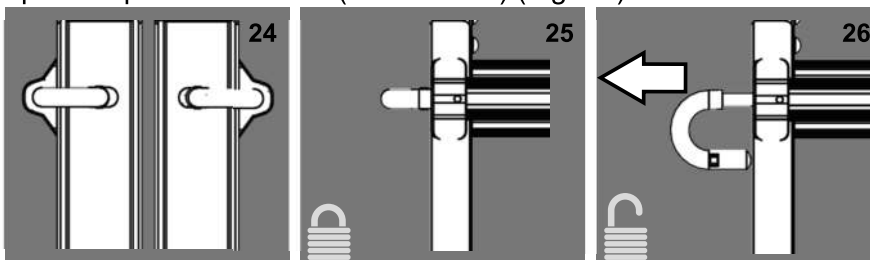
Pour déverrouiller, appuyez dans la partie inférieure de la barrure poussoir ROCK LOCK jusqu'à ce qu'elle s'enclenche en position ouverte (déverrouillée) (Fig. 20).

b) Dispositif de verrouillage
RAPID LOCK®
ou EZ LOCK™



Pour déverrouiller, tournez et tirez sur le dispositif de verrouillage RAPID LOCK ou EZ LOCK pour le mettre en position à 90 degrés jusqu'à ce qu'il reste ouvert (déverrouillé) (Fig. 23).

c) Ergots de verrouillage



Pour déverrouiller, tirez sur l'ergot de verrouillage vers l'extérieur jusqu'à ce qu'il sorte du trou de l'échelon, puis faites-le pivoter à l'extérieur du trou et relâchez-le. Il restera à la position ouverte (déverrouillée) (Fig. 26).

AVERTISSEMENT : NE LIBÉREZ JAMAIS LE SYSTÈME DE VERROUILLAGE POUR L'ÉCHELLE EXTERNE SI QUELQU'UN EST SUR L'ÉCHELLE. ASSUREZ-VOUS TOUJOURS QUE LE SYSTÈME DE VERROUILLAGE POUR L'ÉCHELLE EXTERNE EST COMPLÈTEMENT VERROUILLÉ AVANT DE GRIMPER. OMETTRE DE LE FAIRE POURRAIT ENTRAÎNER DES BLESSURES OU LA MORT.

C. Consignes de sécurité pour l'utilisation générale

AVERTISSEMENT : LITTLE GIANT LADDER SYSTEMS N'ASSUME AUCUNE RESPONSABILITÉ POUR LES DOMMAGES OU BLESSURES ENCOURUS SI LES INSTRUCTIONS NE SONT PAS SUIVIES CORRECTEMENT. LES ÉCHELLES ET LES HAUTEURS COMPORTENT CERTAINS DANGERS ET PEUVENT ENTRAÎNER DES BLESSURES GRAVES OU LA MORT. VEUILLEZ SUIVRE LES PRÉCAUTIONS DE SÉCURITÉ SUIVANTES :

1. Pour votre sécurité, les échelons doivent être de niveau de l'avant à l'arrière et d'un côté à l'autre.
2. Afin d'éviter tout pincement, gardez les vêtements et les différentes parties du corps éloignés de tous les mécanismes mobiles, incluant les dispositifs de retenue et les systèmes de verrouillage pour l'échelle externe et loin des échelons lorsque les assemblages de l'échelle interne télescopique sont par-dessus l'assemblage de l'échelle interne.
3. Faites preuve d'une grande précaution lorsque l'échelle est utilisée près de sources d'électricité. Ne laissez jamais les échelles, peu importe les matériaux qui les composent, toucher à des circuits électriques sous alimentation.
4. Pour votre sécurité, ne dépassez jamais la limite de poids de l'échelle. Selon le modèle, votre échelle dispose de l'une des homologations suivantes :
 - a) 170 kg [375 lb] - Service particulier de type IAA (CSA classe IAA)
 - b) 136 kg [300 lb] - Service très intensif de type IA (CSA classe IA)
 - c) 113 kg [250 lb] - Service intensif de type I (CSA classe I)
 - d) 150 kg - Service industriel (modèles AS/NZS uniquement)Cette information se retrouve sur l'étiquette d'**AVIS** accolé à l'échelle.
5. Conservez tous les échelons de l'échelle, les pieds de l'échelle, les plateformes ainsi que les autres surfaces d'appui et de prise, propres et libres de tous corps étrangers (c.-à-d. boue, peinture, glace, huile, etc.).
6. Ne vous penchez jamais trop sur les côtés de l'échelle et placez toujours les deux pieds sur les échelons. En règle générale, le nombril devrait toujours être positionné entre les barres latérales.
7. Inspectez le niveau d'usure des pieds de l'échelle et les remplacer, le cas échéant.
8. Lisez toutes les étiquettes sur l'échelle avant de l'utiliser. Remplacez les étiquettes, si elles sont endommagées ou usées.
9. N'utilisez jamais l'échelle lorsque les vents sont importants ou pendant une tempête.
10. Faites toujours face à l'échelle et utilisez les deux mains lorsque vous grimpez ou descendez.
11. Inspectez l'échelle avant chaque utilisation. Ne montez jamais sur une échelle cassée, inclinée ou endommagée. Si vous devez remplacer des pièces, arrêtez d'utiliser l'échelle et veuillez contacter notre équipe de service à la clientèle au **800-453-1192**. Détruisez l'échelle si elle ne peut être réparée.
12. Ne passez jamais beaucoup de temps sur un escabeau sans prendre des pauses fréquentes.
13. Portez des chaussures antidérapantes robustes lorsque vous montez dans l'échelle.

FR



MEMBRE ALI

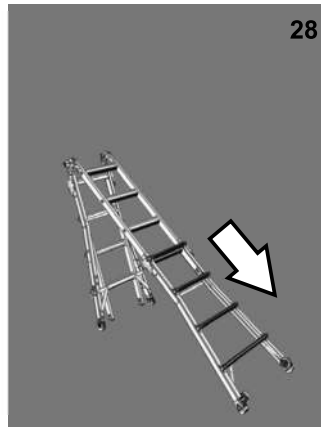
Pour obtenir une formation supplémentaire en matière de sécurité, visitez le www.laddersafety.org

D. Instructions du mode escabeau

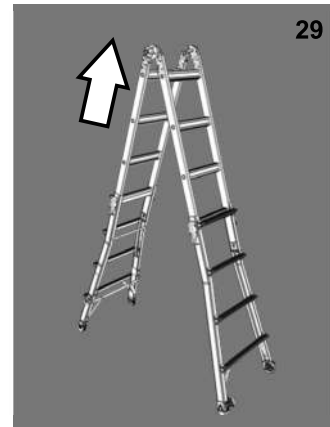
1. En partant de la position d'entreposage, déverrouillez le dispositif de retenue (Fig. 7-15).
2. Tirez sur l'échelle pour l'ouvrir en mode escabeau jusqu'à ce que les dispositifs de retenue soient en place (Fig. 27).
3. Déverrouillez les quatre systèmes de verrouillage externes pour l'échelle (Fig. 18-26).
4. Commencez par prolonger l'échelle en plaçant une main sur la charnière et en faisant pivoter l'échelle vers l'arrière. L'assemblage externe de l'échelle commencera à glisser en bas sur l'assemblage de l'échelle interne (Fig. 28). Utilisez votre autre main pour aligner les échelons internes et externes à la hauteur désirée, assurez-vous de garder vos mains à l'extérieur de l'échelle afin d'éviter de vous pincer pendant que les échelons défilent. Une fois que vous aurez atteint la hauteur désirée, verrouillez complètement le système de verrouillage pour l'échelle externe dans les trous d'échelon interne avant d'ajuster l'autre côté.
5. Pour allonger l'autre côté, tenez les charnières ou les barres d'échelle internes et soulevez l'assemblage de l'échelle interne (Fig. 29). Une fois que vous avez atteint la hauteur désirée, utilisez une main pour tenir les échelons internes et externes en alignement, puis utilisez votre autre main pour verrouiller complètement le système de verrouillage restant dans les trous d'échelon internes.



27



28



29

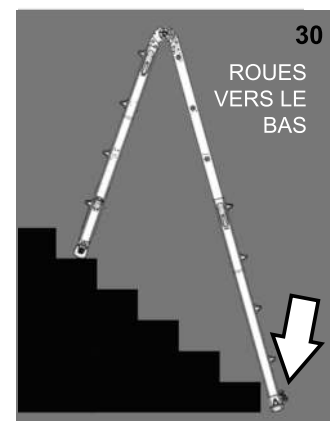
FR

6. Assurez-vous que l'échelle est de niveau et que les quatre pattes reposent solidement au sol avant de grimper.
7. Pour remettre l'échelle en position d'entreposage, faites ces étapes à l'inverse, assurez-vous de toujours tenir fermement en place l'assemblage de l'échelle interne pendant que vous libérez le dispositif de verrouillage externe et gardez vos mains et vos vêtements loin des pièces en mouvements.

AVERTISSEMENT : NE RELÂCHEZ JAMAIS LES SYSTÈMES EXTERNES DE VERROUILLAGE POUR L'ÉCHELLE À MOINS DE TENIR FERMEMENT L'ASSEMBLAGE DE L'ÉCHELLE INTERNE AFIN D'ÉVITER QU'IL NE GLISSE VERS LE BAS. L'ÉCHELLE PEUT SE RÉTRACTER RAPIDEMENT ET CECI PEUT ENTRAÎNER DES BLESSURES. NE LAISSEZ JAMAIS VOS PIEDS DIRECTEMENT SOUS L'ÉCHELLE PENDANT QUE VOUS L'AJUSTEZ.

E. Instructions du mode escalier

1. Commencez avec l'échelle en mode petite escabeau. Ajustez l'assemblage externe de l'échelle pour l'ajuster à l'escalier tout en gardant les échelons approximativement de niveau de l'avant vers l'arrière.
2. Si l'échelle est pourvue des roues TIP & GLIDE™, les roues doivent être placées vers le bas, du côté opposé de l'escalier (Fig. 30).



30

ROUES
VERS LE
BAS

F. Instructions pour l'échelle droite

1. En commençant en mode petit escabeau, libérez les dispositifs de retenue et tournez votre échelle vers le haut en mode échelle droite jusqu'à ce que le dispositif de retenue se verrouille. Étendez ensuite l'échelle sur le sol, l'avant vers le haut près du mur où vous allez la déposer. Si votre échelle possède les roues TIP & GLIDE™, elles doivent être positionnées dans le haut de l'échelle, de manière à ce que les roues soient en direction opposée au mur (Fig. 31).
2. Déverrouillez le système de verrouillage pour l'échelle externe sur l'assemblage externe de l'échelle et allongez à la hauteur désirée. Si vous avez besoin de plus long, allongez la section du bas aussi (Fig. 32). Lorsque l'échelle est à la hauteur désirée, verrouillez complètement le système de verrouillage pour l'échelle.

REMARQUE : Toujours allonger l'assemblage externe de l'échelle supérieur en premier. Elle doit être en extension complète avant d'allonger la section du bas.

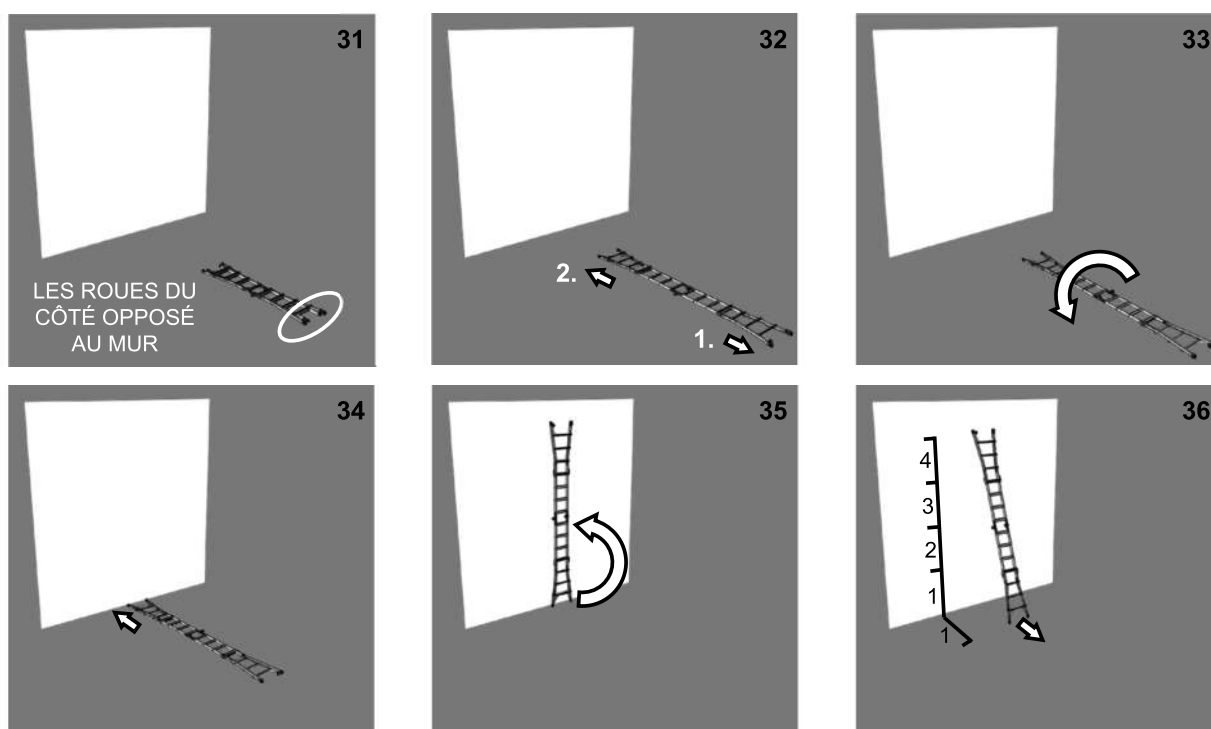
3. Retournez l'échelle, de manière à ce que les échelons soient face au sol (Fig. 33).
4. Glissez les pieds dans le bas de l'échelle contre le mur (Fig. 34).
5. Avancez l'échelle à la main d'un échelon à la fois jusqu'à ce qu'il soit possible d'appuyer l'échelle contre le mur (Fig. 35).

REMARQUE : Si vous ne pouvez pas pousser les pieds contre la base du mur, demandez à une autre personne de retenir les pieds pendant que vous soulevez l'échelle pour la mettre en position verticale.

6. Soulevez et tirez soigneusement la base de l'échelle pour l'éloigner du mur jusqu'à ce que celle-ci soit correctement appuyée sur le mur à un angle de 75.5° (la distance des pieds jusqu'au mur doit représenter 1/4 de la hauteur représentée par le point de contact supérieur de l'échelle avec le mur).

FR

AVERTISSEMENT : AVERTISSEMENT : SI VOUS DEVEZ GRIMPER SUR UN TOIT OU UNE PLATEFORME SURÉLEVÉE, POUR VOTRE SÉCURITÉ, L'ÉCHELLE DOIT DÉPASSER DE TROIS ÉCHELONS LA BORDURE DU TOIT OU LA SURFACE DE TRAVAIL. EN MODE ÉCHELLE DROITE, PLANTEZ TOUJOURS LES PATTES AU SOL ET FIXEZ LE HAUT DE L'ÉCHELLE POUR PLUS DE SÉCURITÉ. NE MONTEZ PAS AU-DELÀ DU POINT D'APPUI OU AU-DELÀ DU TROISIÈME ÉCHELON À PARTIR DU HAUT DE L'ÉCHELLE.

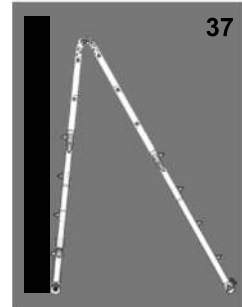


7. Pour descendre l'échelle, faites ces étapes à l'envers, en prenant soin de maintenir le contrôle de l'échelle, assurez-vous qu'il n'y a pas d'objets qui pourraient vous faire trébucher pendant que vous marchez vers l'arrière.

G. Instructions pour le mode à 90 degrés

1. En partant du mode escabeau, allongez un assemblage externe d'échelle en le tirant d'un échelon plus long que celui de l'autre côté (Fig. 37). Ceci permet à l'échelle supérieure d'être plus près de la surface que vous essayez d'atteindre et vous permet d'être face au plan de travail que vous voulez atteindre, ce qui vous évite de vous étirer trop loin ou de tourner votre corps.

AVERTISSEMENT : ASSUREZ-VOUS TOUJOURS QUE L'ÉCHELLE SE TROUVE SUR UNE SURFACE PLANE, ET QUE LE CÔTÉ COURT DE L'ÉCHELLE REPOSE CONTRE UN MUR STABLE. NE VOUS ÉTIREZ JAMAIS D'UN CÔTÉ OU DE L'AUTRE OU NE GRIMPEZ PAS SUR LE CÔTÉ VERTICAL DE L'ÉCHELLE, CECI POURRAIT FAIRE TOMBER L'ÉCHELLE ET ENTRAÎNER DES BLESSURES OU LA MORT.



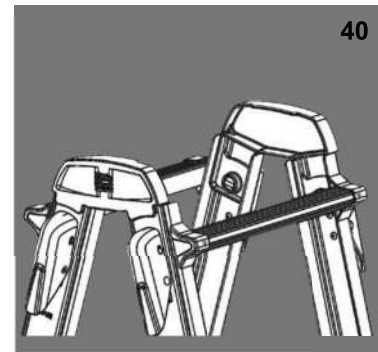
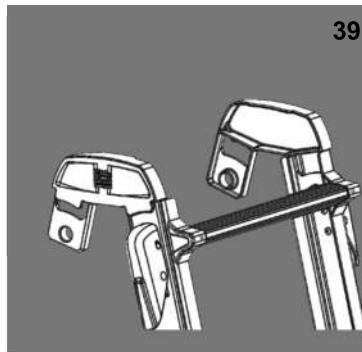
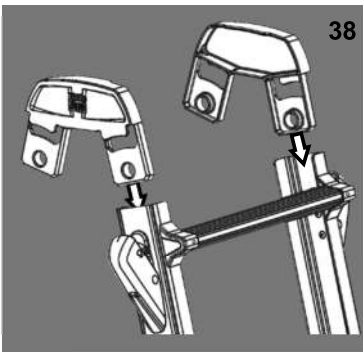
H. Instruction pour le mode chevalet d'échafaudage

REMARQUE : Si votre échelle possède un dispositif de verrouillage ROCK LOCK®, RAPID LOCK® ou EZ LOCK™, des fixations du chevalet supplémentaires sont requises pour utiliser l'échelle dans ce mode. Les fixations du chevalet peuvent aussi être utilisées avec des ergots de verrouillage, mais ils ne sont pas nécessaires.

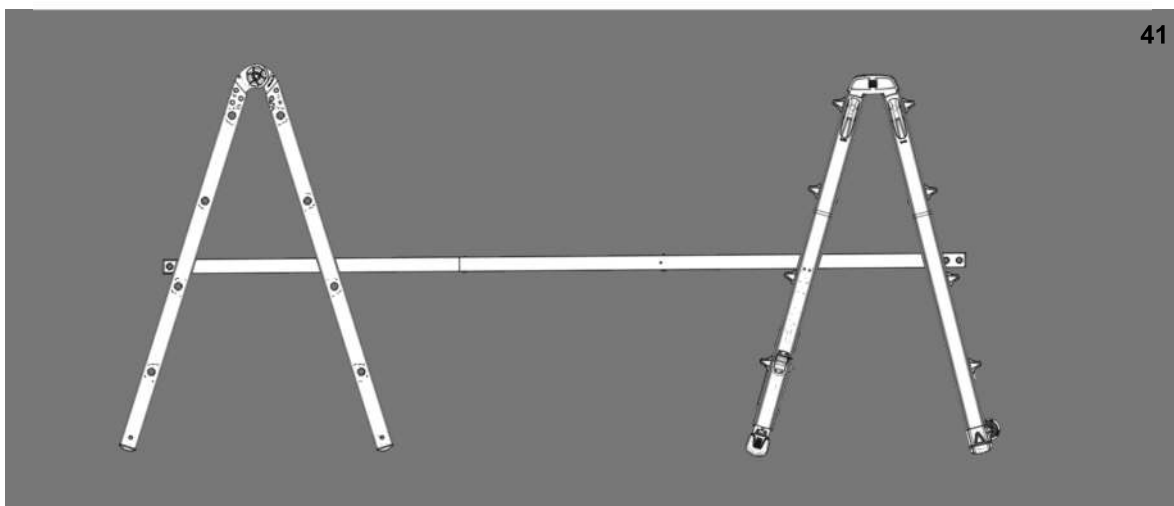
1. Méthode d'installation avec fixation de tréteau

- a) À partir du mode petit escabeau, déverrouillez les dispositifs de verrouillage extérieur et retirez complètement les deux assemblages externes de l'assemblage interne de l'échelle. Mettre de côté l'assemblage interne; celui-ci constituera le premier des deux tréteaux.
- b) Insérer les fixations du tréteau dans le haut de l'un des assemblages externes de l'échelle avec les languettes des fixations vers le bas, puis verrouillez les dispositifs de verrouillage extérieur et répétez sur l'autre assemblage extérieur de l'échelle (Fig. 38-40). Le second tréteau est maintenant prêt.

FR



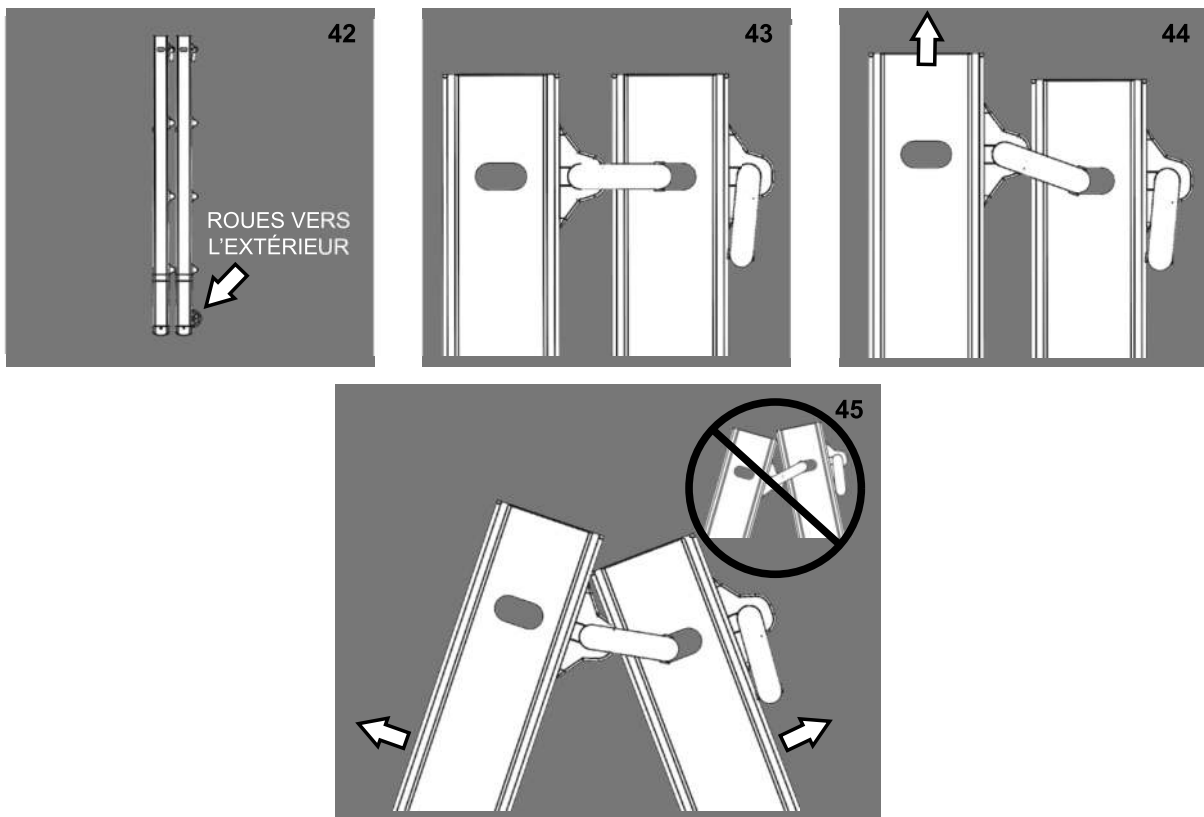
- c) Espacez les deux tréteaux et positionnez un madrier en bois solide ou un madrier LITTLE GIANT (vendu séparément) entre ceux-ci à la hauteur voulue (Fig. 41).



2. Méthode d'installation conventionnelle (dispositif de blocage uniquement)

- À partir du mode petit escabeau, déverrouillez les verrous extérieurs et retirez complètement les deux assemblages externes de l'assemblage interne de l'échelle. Mettez de côté l'assemblage interne; celui-ci constituera le premier des deux tréteaux.
- Tournez les deux assemblages externes de l'échelle de façon à ce qu'ils soient dirigés dans la même direction, puis maintenez-les ensemble et placez-les à la verticale. Si votre échelle est équipée de roues TIP & GLIDE™, positionnez les assemblages externes de l'échelle de manière à ce que les roues soient vers l'extérieur (Fig. 42).
- Prenez les verrous sur l'assemblage extérieur de l'échelle et verrouillez-les dans les trous de la section avant (Fig. 43).
- Pour former le deuxième tréteau, soulevez légèrement la section arrière, puis tirez les deux sections afin de les placer en position A (Fig. 44-45).

REMARQUE : Effectuer cette étape incorrectement pourrait endommager votre échelle et annuler votre garantie.



FR

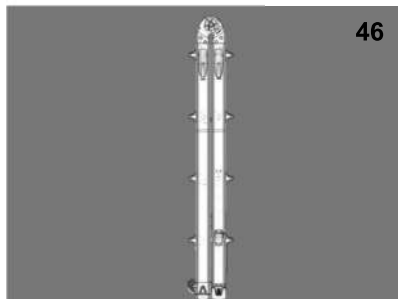
3. Information de sécurité supplémentaire pour les chevalets d'échafaudage

- Quelle que soit la classification de votre échelle (type I, IA ou IAA), lorsqu'elle est utilisée comme système, d'échafaudage pour votre sécurité, ne dépassez pas la capacité de charge de votre planche. N'utilisez pas l'un ou l'autre des tréteaux comme escabeau individuel.
- N'utilisez jamais les tréteaux comme escabeau individuel.
- Les réglementations ANSI et CSA indiquent que le madrier de l'échafaudage ne devrait pas être utilisé comme plateforme d'appui à des hauteurs supérieures à trois fois la largeur minimale de la base. Utilisez uniquement le madrier comme plateforme d'appui jusqu'au troisième échelon. Si le madrier est au-dessus du troisième échelon, celui-ci peut être utilisé comme surface de travail, mais non comme plateforme d'appui et il doit être sécurisé et fixé ou maintenu en place afin d'assurer la stabilité.
- Si votre madrier n'est pas muni de taquet ou de crochets, prolongez les extrémités du madrier à au moins 15 cm [6 po.], mais au maximum 30 cm [12 po.], au-delà du point de support et ne jamais se tenir sur l'extrémité qui dépasse le point de support.
- Lorsque du réassemblage de l'échelle, assurez-vous que les échelons externes pointent vers l'extérieur.

I. Instructions pour les roulettes TIP & GLIDE™

Remarque : Selon votre modèle d'échelle, les roulettes TIP & GLIDE peuvent être incluses ou être disponibles.

1. Avec l'échelle en position de rangement, maintenez l'échelle par l'échelon externe supérieur et inclinez l'échelle jusqu'à ce que les roulettes entrent en contact avec le sol et que les pattes se soulèvent du sol (Fig. 47). L'échelle peut maintenant être déplacée librement sur les roulettes sur les surfaces dures en la tirant derrière vous.



AVERTISSEMENT : LES ROULETTES DOIVENT TOUJOURS ÊTRE DANS LE HAUT EN MODE ÉCHELLE DROITE, EN DIRECTION OPPOSÉE DES ESCALIERS EN MODE ESCALIER ET ÊTRE VERS L'EXTÉRIEUR DANS LE MODE CHEVALET D'ÉCHAFAUDAGE. SI VOUS NE SUIVEZ PAS CES INSTRUCTIONS, LES ROUES POURRAIENT ENTRER EN CONTACT AVEC LE SOL DE MANIÈRE INATTENDUE ET PROVOQUER DES BLESSURES.

FR

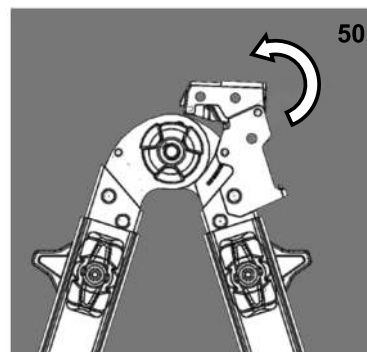
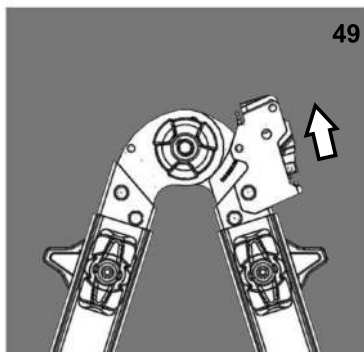
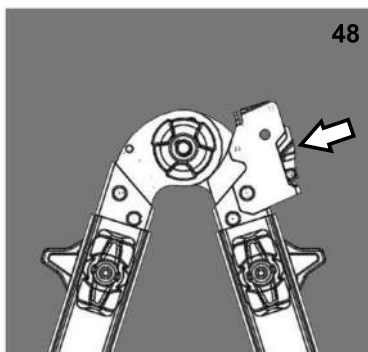
J. Instructions pour la station de travail AIRDECK®

Remarque : Les ports d'accessoires sont requis pour utiliser la station de travail AIRDECK. Selon votre modèle d'échelle, les ports et la station de travail peuvent être ou ne pas être inclus ou compatibles.

1. Les ports d'accessoires sont situés sur les charnières de l'échelle. Selon votre modèle d'échelle, il peut s'agir de ports à position fixe ou à 2 positions. Les ports à position fixe vous permettent d'utiliser la station de travail AIRDECK en position rampe de sécurité verticale, avec ou sans l'utilisation du plateau à outils. Les ports à 2 positions vous permettent aussi d'utiliser la station de travail comme plateau à outils horizontal inférieur, sans l'utiliser comme rampe de sécurité.

a) Instructions du port d'accessoire à 2 positions

- 1) Glissez le dispositif vers le haut (Fig. 49). Ceci permettra de déverrouiller le port et de le repositionner.
- 2) Tournez vers l'arrière jusqu'à ce qu'il fasse un tour complet et s'enclenche en place (Fig. 50).



- 3) Pour remettre le port en position originale, faites ces étapes à l'inverse, en tirant jusqu'à ce que le port se déclenche et en vous assurant que le port est en position verrouillée lorsque vous avez terminé.

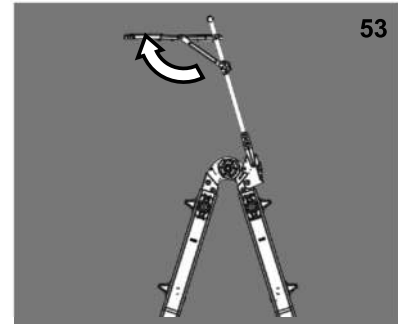
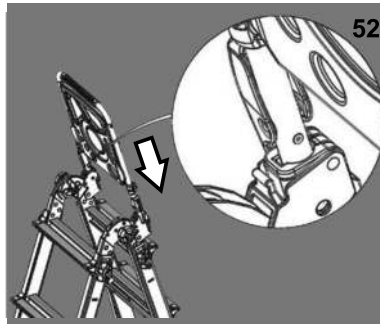
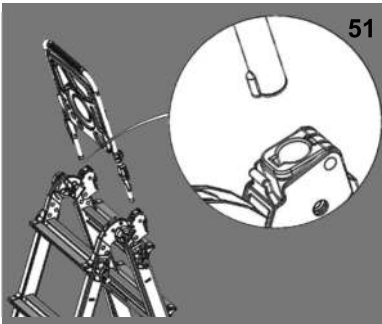
AVERTISSEMENT : LES PORTS DOIVENT ÊTRE EN PLACE ET VERROUILLÉS À LA POSITION DÉSIRÉE AVANT D'INSÉRER LA STATION DE TRAVAIL. N'AJUSTEZ JAMAIS LES PORTS LORSQUE LA STATION DE TRAVAIL EST UTILISÉE.

2. Utilisation de la station de travail AIRDECK

- a) La station de travail AIRDECK peut être utilisée uniquement avec l'échelle en mode escabeau et escalier. Remarquez les trous en forme de trou de serrure dans la partie supérieure du port (Fig. 51). Il y a un raccord qui peut être inséré à l'extrémité de la patte de la station de travail, ce qui empêche qu'il soit installé incorrectement.
- b) Glissez les extrémités de la station de travail dans les ports et appuyez vers le bas jusqu'à ce que le verrou s'enclenche (Fig. 53). Avec les ports en position fixe et les ports à 2 positions placés en position verticale, la station de travail peut maintenant être utilisée comme rampe de sécurité pour plus de sécurité lorsque vous travaillez dans le haut de l'échelle et permet un accès au deuxième échelon à partir du haut.

AVERTISSEMENT : NE MONTEZ JAMAIS SUR LE DEUXIÈME ÉCHELON À PARTIR DU HAUT SANS QUE LA RAMPE DE SÉCURITÉ SOIT EN PLACE ET NE MONTEZ JAMAIS SUR L'ÉCHELON SUPÉRIEUR. ASSUREZ-VOUS TOUJOURS QUE LA STATION DE TRAVAIL EST FERMEMENT VERROUILLÉE DANS LES PORTS AVANT DE L'UTILISER.

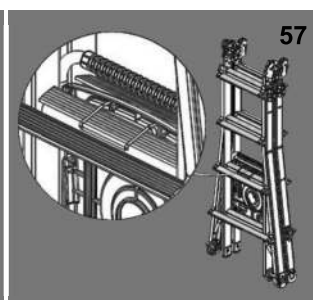
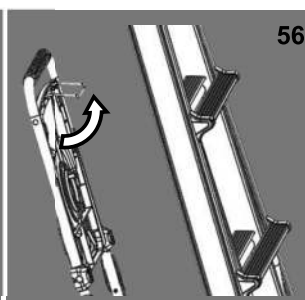
- c) Pour utiliser la station de travail en position de rampe de sécurité, tournez le plateau vers le haut et l'arrière jusqu'à ce que les verrous sur les deux bras de support s'engagent (Fig. 53). Pour utiliser le plateau à outils en position horizontale, insérez simplement la station de travail lorsque les ports à 2 positions sont en position horizontale.



FR

AVERTISSEMENT : NE VOUS ASSOYEZ PAS OU NE MONTEZ PAS SUR LE PLATEAU À OUTILS. IL EST HOMOLOGUÉ POUR 11 KG [25 LB]; NE DÉPASSEZ JAMAIS CETTE CHARGE. LA RAMPE DE SÉCURITÉ A POUR BUT D'OFFRIR PLUS DE STABILITÉ SEULEMENT, NE VOUS INCLINEZ JAMAIS OU NE TIREZ JAMAIS FORTEMENT SUR LA RAMPE AVEC UNE FORCE EXCESSIVE. N'UTILISEZ JAMAIS LA STATION DE TRAVAIL AIRDECK AVEC L'ÉCHELLE EN MODE À 90 DEGRÉS.

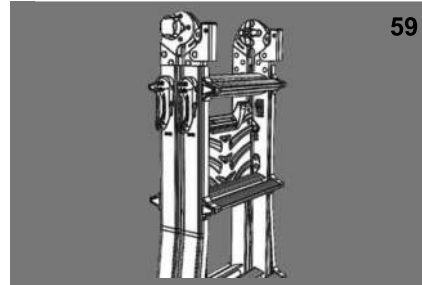
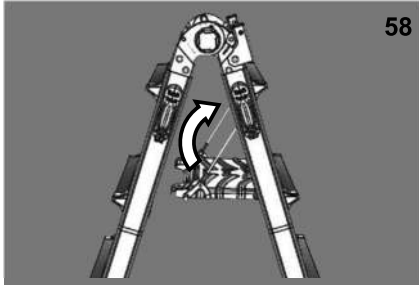
- d) Pour remettre le plateau à outils en position d'entreposage, appuyez sur les boutons sur les extrémités des bras de support pour déverrouiller les verrous, puis glissez les boîtiers de bouton vers le bas pour retirer le plateau (Fig. 54).
- e) Pour l'enlever, appuyez et maintenez enfoncé les verrous, puis soulevez-les (Fig. 55).
- f) Pour ranger, tournez le crochet de métal sous le plateau à outils (Fig. 56), et suspendez la station de travail AIRDECK à l'intérieur de l'échelle sur un échelon interne. Fermez ensuite l'échelle en position d'entreposage (Fig. 57).



K. Instructions de la plateforme COMFORT STEP™

Remarque : Selon votre modèle d'échelle, la plateforme COMFORT STEP peut être ou peut ne pas être incluse ou disponible. Si votre échelle est équipée avec la plateforme COMFORT STEP, elle sera aussi munie des ports d'accessoires.

1. Si votre échelle est équipée avec la plateforme COMFORT STEP, celle-ci se déploiera automatiquement en position d'utilisation lorsque l'échelle est ouverte de la position d'entreposage au mode escabeau.
2. Pour ranger la plateforme, tirez vers l'intérieur sur la poignée de caoutchouc pendant que vous fermez l'échelle en position d'entreposage (Fig. 58-59).



3. Lorsque vous réassemblez l'échelle après l'avoir utilisée en mode chevalet d'échafaudage, si votre échelle est munie des roulettes TIP & GLIDE™, l'assemblage externe de l'échelle avec les roulettes devrait être installé sur la moitié d'échelle interne opposée à la plateforme COMFORT STEP.

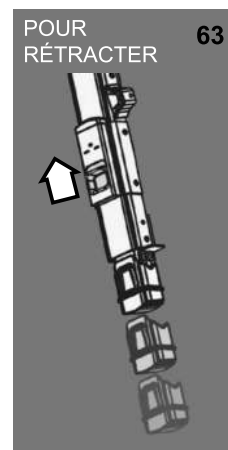
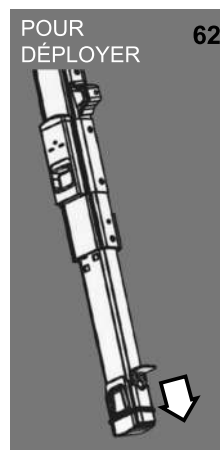
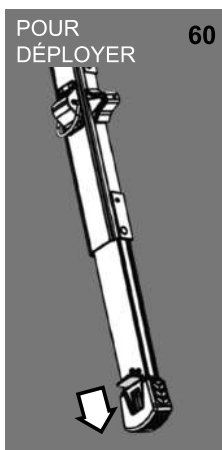
FR

AVERTISSEMENT : NE MONTEZ JAMAIS SUR LA PLATEFORME COMFORT STEP EN MODE ESCABEAU OU ESCALIER SANS QUE LA STATION DE TRAVAIL AIRDECK NE SOIT EN POSITION DE RAMPE DE SÉCURITÉ. NE MONTEZ JAMAIS SUR LA PLATEFORME EN MODE À 90 DEGRÉS. LORSQUE VOUS CONFIGUREZ L'ÉCHELLE EN MODE ÉCHELLE DROITE, ASSUREZ-VOUS QUE LA PLATEFORME EST SUR LA MOITIÉ INFÉRIEURE DE L'ÉCHELLE.

L. Instructions du dispositif de mise à niveau RATCHET™

Remarque : Selon le modèle de votre échelle, le dispositif de mise à niveau RATCHET peut être ou peut ne pas être inclus ou disponible, ou peut être de l'un des deux types suivant : Dégagement avec anneau en D ou un dispositif de blocage.

1. Pour déployer les dispositifs de mise à niveau RATCHET sur les surfaces inégales, détectez la patte qui ne touche pas le sol tout en maintenant votre échelle avec les échelons au niveau, puis appuyez sur la plaque de poussée du dispositif de mise à niveau RATCHET de la patte avec vos orteils jusqu'à ce que la patte touche le sol (Fig. 60 ou 62). Les goupilles de verrouillage verrouilleront la patte en position à environ tous les 11 mm [7/16 po.] jusqu'à la longueur maximale de la patte, qui peut varier selon le modèle.
2. Pour rétracter les dispositifs de mise à niveau, après avoir utilisé l'échelle, tirez sur l'anneau en D (Fig. 61) ou remontez le dispositif de blocage (Fig. 63) et les pattes du dispositif de mise à niveau RATCHET retourneront à leur position de rangement.



Dégagement de l'anneau en D

Dégagement du dispositif de blocage

Remarque : En mode échelle droite, assurez-vous que le dispositif de mise à niveau RATCHET™ est appuyé au sol.

AVERTISSEMENT : NE TIREZ JAMAIS SUR LES ANNEAUX EN D OU LES DISPOSITIFS DE BLOCAGE SI QUELQU'UN SE TROUVE SUR L'ÉCHELLE, CELA POURRAIT ENTRAÎNER DES BLESSURES ET MÊME LA MORT. LES DISPOSITIFS DE MISE À NIVEAU RATCHET SONT UTILISÉS POUR LA MISE À NIVEAU UNIQUEMENT ET NE DOIVENT PAS ÊTRE UTILISÉS POUR GAGNER EN HAUTEUR. GARDEZ L'ÉCHELON DU BAS À UNE HAUTEUR APPROXIMATIVE DE 30 cm [12 po.] DU SOL POUR ÉVITER LES ACCIDENTS.

III. Instructions pour l'entretien de l'échelle

A. Instructions pour l'entretien général de l'échelle

1. Afin d'assurer un fonctionnement adéquat, lubrifiez les dispositifs de retenue et les systèmes de verrouillage de l'échelle externe avec un lubrifiant solide au moins tous les six mois et avant un entreposage prolongé. Ceci doit être effectué plus souvent si l'utilisation est plus intensive ou si les conditions climatiques sont extrêmes : Nous recommandons le lubrifiant solide avancé B'laster®. Veuillez contacter notre équipe de service à la clientèle au 800-453-1192.

VEUILLEZ NE PAS UTILISER DE LUBRIFIANTS À BASE DE GRAPHITE, CAR ILS PEUVENT POTENTIELLEMENT FAVORISER LA CORROSION.

AVERTISSEMENT : N'UTILISEZ AUCUN LUBRIFIANT SUR LES ÉCHELONS ET LES PATTES DE L'ÉCHELLE AINSI QUE TOUTE SURFACE DE SUPPORT.

FR

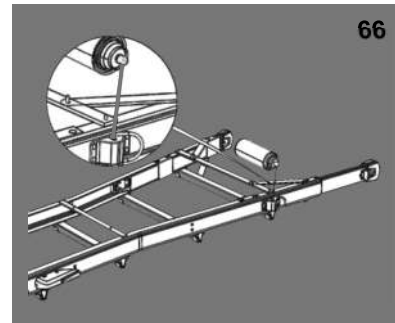
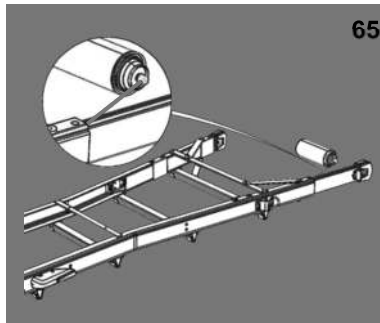
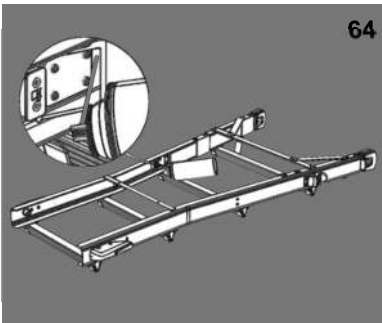
2. Entrez toujours l'échelle dans un endroit sec et protégé contre les intempéries.
3. Gardez les barres latérales propres de manière à ce que l'échelle glisse facilement.
4. Gardez les dispositifs de retenue et les systèmes de verrouillage pour l'échelle exempts de saleté, de brouillard salin ou d'autres contaminants qui pourraient entraver le fonctionnement normal.
5. Remplacez les pieds internes et externes le cas échéant pour assurer la sécurité.
6. Vérifiez tous les composants afin de vous assurer qu'elles fonctionnent correctement.
7. Remplacez les étiquettes de sécurité lorsque celles-ci deviennent embrouillées, illisibles ou s'il manque des mots.

B. Instructions de lubrification du dispositif de mise à niveau RATCHET

Remarque : Si votre échelle est munie de dispositifs de mise à niveau RATCHET, ces derniers doivent être lubrifiés au même intervalle et avec le même type de lubrifiant solide qu'avec les dispositifs de retenue et les systèmes de verrouillage externe pour l'échelle, comme mentionné plus haut.

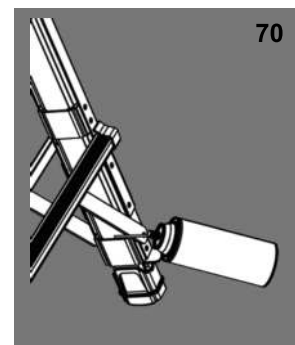
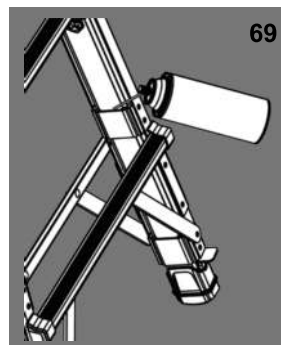
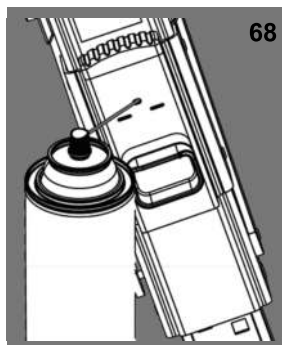
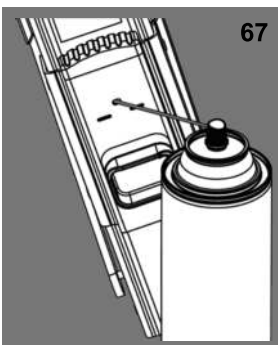
1. Instructions de lubrification système de dégagement de l'anneau en D

- Commencez par enlever l'assemblage externe de l'échelle avec les dispositifs de mise à niveau RATCHET de l'assemblage de l'échelle interne.
- Appliquez généreusement le lubrifiant solide à l'intérieur de la partie supérieure des pattes de mise à niveau, en recouvrant les côtés et les trous pour les goupilles de verrouillage (Fig. 64).
- Allongez les dispositifs de mise à niveau RATCHET et appliquez généreusement du lubrifiant solide sur toutes les surfaces externes des pattes de mise à niveau, en vous assurant de ne mettre aucun lubrifiant sur les pieds de l'échelle (Fig. 65).
- Appliquez généreusement du lubrifiant solide à l'intérieur du boîtier de l'anneau en D sur les barres latérales de l'assemblage externe de l'échelle (Fig. 66).
- Enlevez l'excès de lubrifiant sur les surfaces avec un chiffon sec avant de rétracter les dispositifs de mise à niveau RATCHET et d'utiliser l'échelle.



2. Instructions de lubrification du dispositif de blocage

- Commencez par enlever l'assemblage externe de l'échelle avec les dispositifs de mise à niveau RATCHET de l'assemblage de l'échelle interne.
- Appliquez généreusement du lubrifiant solide à l'intérieur du petit trou central par-dessus le dispositif de blocage du dispositif de mise à niveau RATCHET, en étendant en angle du côté gauche et droit (Fig. 67 -68).
- Vaporisez aux endroits où les pattes du dispositif de mise à niveau glissent ainsi que les supports inférieurs et supérieurs, en vous assurant de ne pas mettre de lubrifiant sur le pied de l'échelle (Fig. 69-70), puis entrez et sortez les pattes à plusieurs reprises.
- Enlevez l'excès de lubrifiant sur les surfaces avec un chiffon sec avant de rétracter les dispositifs de mise à niveau RATCHET et d'utiliser l'échelle.



IV. Garantie Little Giant

Remarque : Les différents modèles d'échelle ont différentes périodes de garantie. Pour déterminer la durée de la garantie de votre échelle, vérifiez l'étiquette d'AVIS de votre échelle, veuillez visiter le site www.LittleGiantLadders.com/warranties ou communiquez avec l'équipe de service à la clientèle. Vous pouvez enregistrer votre produit en ligne à l'adresse www.LittleGiantLadders.com/registration ou en appelant l'équipe du service à la clientèle au 800-453-1192.

Conditions générales de la garantie Little Giant

Little Giant Ladder Systems garantit chaque nouveau produit à l'acheteur initial, contre tout vice de fabrication et de matériaux, lorsque le produit est utilisé dans des conditions normales et que l'entretien est effectué correctement. Cette garantie couvre toutes les pièces du produit et tient lieu de toute autre garantie, formulée ou sous-entendue, incluant, sans s'y limiter, à toute garantie sous-entendue de qualité marchande ou d'aptitude pour un usage particulier.

Dans le cas improbable où, durant la période de garantie à compter de la date d'achat d'origine, un problème soit causé par des défauts de fabrication ou de matériaux, Little Giant Ladder Systems réparera ou remplacera l'échelle, selon notre décision et sans frais additionnels pour l'acheteur original. Tous les frais d'expédition vers l'usine et à partir de l'usine seront payés par le client. Un produit comparable sera substitué dans le cas où un remplacement est nécessaire et que votre produit n'est plus disponible.

La responsabilité de Little Giant Ladder Systems en vertu de cette garantie est uniquement limitée à la réparation ou au remplacement du produit durant la période de garantie. Little Giant Ladder Systems ne peut être tenue pour responsable, pour quelque raison que ce soit, de tout dommage indirect ou consécutif, y compris, sans s'y limiter, aux blessures corporelles et aux coûts de la main-d'œuvre. Certains États ou provinces n'autorisent pas l'exclusion des dommages indirects ou consécutifs, il se peut donc que les exclusions ou les limitations ci-dessus ne s'appliquent pas à vous. Cette garantie vous donne des droits spécifiques découlant de la loi et il se peut que vous ayez d'autres droits en vertu de la loi qui peuvent varier d'un État ou d'une province à l'autre.

Sous aucune circonstance la société Little Giant Ladder Systems ne pourra être tenue pour responsable des dépenses associées aux réparations effectuées par une tierce partie autre que l'usine ou le fournisseur de service agréé, à moins qu'une telle réparation n'ait été autorisée par écrit par la société Little Giant Ladder Systems. Cette garantie s'applique uniquement à l'Amérique du Nord. Les spécifications de fabrication peuvent être modifiées sans préavis.

FR

A. Exigences de remplacement pour les échelles utilisés dans les milieux gouvernementaux, les services d'incendie et l'armée

1. En raison de l'utilisation extrême et des conditions auxquelles sont soumises nos échelles dans les milieux gouvernementaux, des services des incendies et militaires et afin d'assurer la sécurité des utilisateurs, les échelles ne doivent plus être utilisées et remplacées cinq ans après la date d'achat.

V. Certifications et conformité aux normes

A. ANSI (American National Standards Institute)

1. Toutes les échelles articulées extensibles LITTLE GIANT® sont conçues et testées pour répondre ou dépasser les critères des normes ANSI-ASC A14.2 (aluminium) ou ANSI-ASC A14.5 (fibre de verre).

B. OSHA (Occupational Safety and Health Administration)

1. Toutes les échelles articulées extensibles LITTLE GIANT® sont fabriquées et testées pour satisfaire ou dépasser tous les critères des normes OSHA 29 CFR 1910.26 et 29 CFR 1926.1053 sur les échelles.

C. CSA (Association canadienne de normalisation)

1. Plusieurs échelles articulées à extension LITTLE GIANT® sont homologuées CSA Z11. Pour voir la liste complète des produits homologués, visitez le site à l'adresse www.LittleGiantLadders.com/csa.

D. AS/NZS (Normes australiennes et normes de Nouvelle-Zélande)

1. Certaines échelles articulées à extension LITTLE GIANT® sont homologuées AS/NZS 1892 et ont une capacité de 150 kg. Pour voir la liste complète des produits homologués, visitez le site à l'adresse www.LittleGiantLadders.com/as-nzs.

E. NFPA (Agence nationale de protection contre les incendies)

1. Les modèles d'échelle LITTLE GIANT® OVERHAUL™ et DEFENDER™ sont testés et certifiés à la norme NFPA 1931:2020 et NFPA 1932:2020, la norme d'utilisation, d'entretien et de service pour les échelles au sol utilisées en exercice des services d'incendie.

F. ISO (Bureau de services d'assurances)

1. Les modèles d'échelles LITTLE GIANT® OVERHAUL™ et DEFENDER™ satisfont aux normes ISO pour obtenir un crédit sur les autopompes et les grandes échelles.

G. Normes MIL-SPEC

1. Les modèles LITTLE GIANT® AIRCRAFT SUPPORT™ répondent aux normes MIL-L-85896(AS).

VI. Avis juridique

LITTLE GIANT est une marque déposée de Wing Enterprises, Inc. et est enregistrée aux États-Unis, en Europe, en Australie, au Canada, en Chine, à Hong Kong, en Islande, en Israël, au Japon, en Malaisie, en Nouvelle-Zélande, en Corée du Sud, à Singapour, à Taiwan et en Thaïlande. LITTLE GIANT LADDER SYSTEMS, ONE LADDER DOES IT ALL, AIRDECK, ROCK LOCK et RAPID LOCK sont des marques déposées de Wing Enterprises, Inc. aux États-Unis.

EZ LOCK, TIP & GLIDE, COMFORT STEP, RATCHET, OVERHAUL, DEFENDER, AIRCRAFT SUPPORT, BUILT FOR THOSE WHO GET STUFF DONE (CONÇU POUR CEUX QUI FONT LES CHOSES), et PREVENTING INJURIES, SAVING LIVES (PRÉVENIR LES BLESSURES, SAUVER DES VIES) sont des marques de commerce de Wing Enterprises, Inc.

Le logo de American Ladder Institute est une marque déposée d'American Ladder Institute.

B'laster est une marque déposée de The B'laster Corporation. Ni Little Giant Ladder Systems ni Wing Enterprises, Inc. ne sont associés à The B'laster Corporation, ou leurs sociétés affiliées.

Votre échelle LITTLE GIANT peut être protégée par un ou plusieurs brevets aux États-Unis et à l'étranger, et/ou peut avoir d'autres brevets en instance. Visitez www.LittleGiantLadder.com/patents pour obtenir de plus amples détails. Cette page Web est fournie dans le cadre des dispositions de marquage de brevets virtuels de l'America Invents Act.

CHEZ LITTLE GIANT, NOTRE MISSION EST

DE PRÉVENIR LES BLESSURES ET DE SAUVER DES VIES

VOTRE SÉCURITÉ EST NOTRE PRIORITÉ!

**VEUILLEZ PASSER À TRAVERS LA LISTE D'INSPECTION SUIVANTE
AVANT CHAQUE UTILISATION AFIN D'ASSURER VOTRE SÉCURITÉ.**

**NE MONTEZ JAMAIS SUR UNE ÉCHELLE CASSÉE,
TORDUE OU ENDOMMAGÉE!**

LISTE D'INSPECTION DE L'ÉCHELLE AVANT CHAQUE UTILISATION

- Aucune pièce n'est manquante et tous les rivets et/ou fixations sont serrés et ancrés.
- Les échelons et les longerons sont en bonne condition et ne présentent pas de fissures, de torsions, de courbures ou de grandes indentations.
- Les quatre pieds sont au niveau au sol lorsque l'échelle est en position escabeau et celle-ci ne branle pas.
- Les pieds sont tous en place et en bonne condition et les rainures ne sont pas trop usées.
- Les dispositifs de retenue fonctionnent adéquatement et se verrouillent complètement en modes de rangement, d'escabeau et d'échelle droite.
- Le système de verrouillage pour l'échelle externe fonctionne correctement et se verrouille complètement dans les échelons internes.
- Les assemblages de l'échelle externe glissent sans problème sur l'assemblage interne de l'échelle.
- Toutes les étiquettes de sécurité sont présentes et lisibles.
- Le cas échéant, toutes les autres composantes, comme les dispositifs de mise à niveau RATCHET™ fonctionnent et se verrouillent correctement.

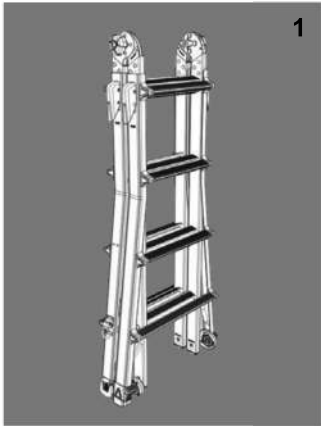
FR

SI VOUS RENCONTREZ L'UN DE SES PROBLÈMES PENDANT L'INSPECTION, VEUILLEZ NE PLUS UTILISER L'ÉCHELLE JUSQU'À CE QUE LES RÉPARATIONS APPROPRIÉES AIENT ÉTÉ EFFECTUÉES. VEUILLEZ CONTACTER L'ÉQUIPE DU SERVICE À LA CLIENTÈLE AU 800-453-1192 1192 POUR OBTENIR DES PIÈCES DE REMPLACEMENT ET POUR DES RENSEIGNEMENTS SUR LA GARANTIE. DÉTRUISEZ L'ÉCHELLE SI ELLE NE PEUT ÊTRE RÉPARÉE.

I. Introducción: información básica de la escalera LITTLE GIANT®

A. Unidad de escalera articulada extensible - La escalera está compuesta por tres componentes básicos: una parte interna de la escalera y dos partes externas que se extienden sobre la interna.

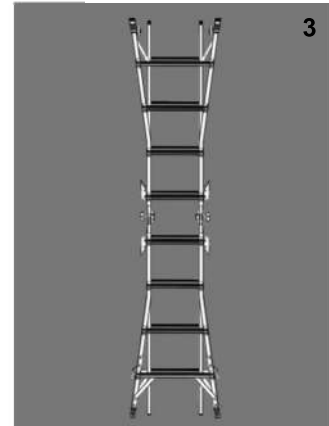
1. La parte interna tiene 2 bisagras con trabas que permiten usar la escalera en las siguientes configuraciones:



Guardado

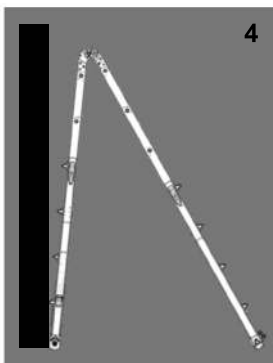


Escalera de tijera



Escalera recta

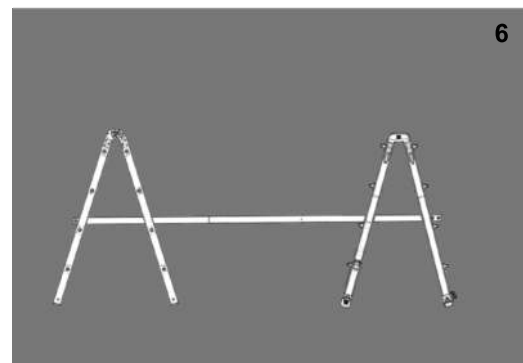
2. Los mecanismos de bloqueo en las dos partes externas permiten que se pueda ajustar la longitud de la escalera. Estos mecanismos de bloqueo encajan en cualquier escalón de la parte interna, lo que permite un ajuste de escalón por escalón en cualquier extremo de la escalera. Además de poder usar la escalera en varios tamaños de los modos de escalera de tijera y escalera recta mencionados arriba, como las secciones externas se pueden ajustar de manera independiente entre sí o se pueden quitar por completo de la parte interna, son posibles las siguientes configuraciones adicionales.



90 grados



Para Escalones



Caballetes de andamio

ES

NOTA: Algunos modelos requieren soportes para caballetes para que la escalera se pueda usar como caballete de andamio.

NOTA: El tablón de andamio se vende por separado.

B. Tabla de especificaciones del modelo*

Model	Altura de almacenaje	Altura de la escalera de tijera	Altura de la escalera recta
M13	3' 7" [1.09 m]	3'-5' [0.9 m-1.5 m]	7'-11' [2.1 m-3.4 m]
M17	4' 7" [1.40 m]	4'-7' [1.2 m-2.1 m]	9'-15' [2.7 m-4.6 m]
M22	5' 7" [1.70 m]	5'-9' [1.5 m-2.7 m]	11'-19' [3.4 m-5.8 m]
M26	6' 7" [2.00 m]	6'-11' [1.8 m-3.4 m]	13'-23' [4.0 m-7.0 m]

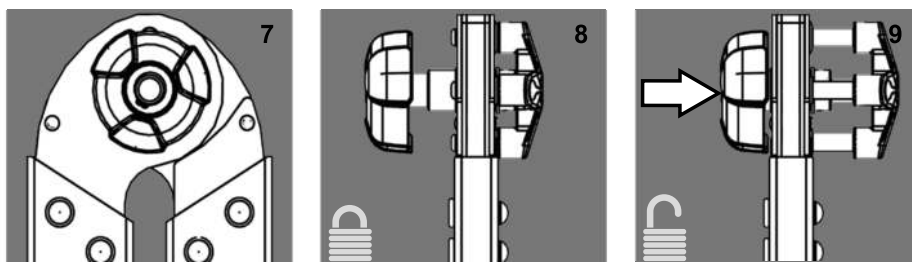
* Como esta es una guía general para varios modelos, todas las especificaciones son aproximadas. Para obtener las especificaciones exactas de su modelo particular, visite nuestro sitio web o llame al equipo de atención al cliente al **800-453 1192**.

II. Uso y ajuste de la escalera

A. **Las bisagras** - Están ubicadas en la parte superior de la escalera cuando está en la posición de almacenamiento. Le permitirán cambiar la forma de la escalera.

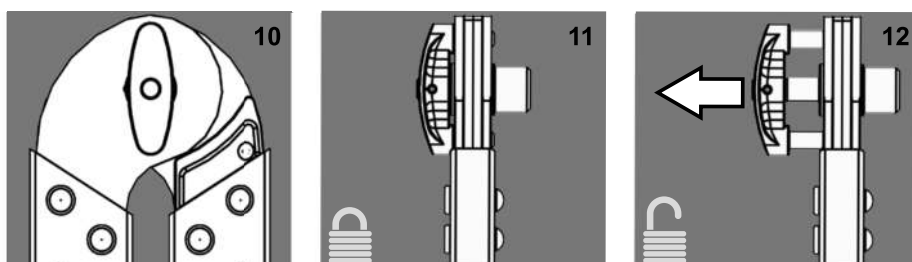
1. **Destruar las trabas de bisagra** - Según su modelo de escalera particular, tendrá uno de los siguientes estilos de traba de bisagra:

a) A presión



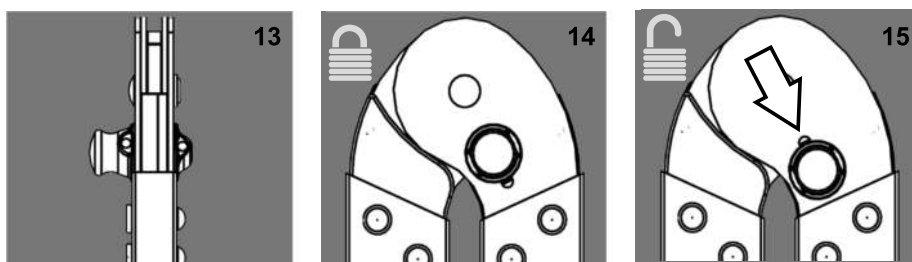
Destrua las bisagras presionando los botones accionados con la mano hasta que queden en la posición abierta (destrabada) en ambas bisagras (Fig. 9).

b) Para tirar



Destrua las bisagras tirando de las piezas de la traba hacia afuera hasta que queden en la posición abierta (destrabada) en ambas bisagras (Fig. 12).

c) Deslizante



Destrua las bisagras deslizando las perillas hasta que queden en la posición abierta (destrabada) en ambas bisagras (Fig. 15).

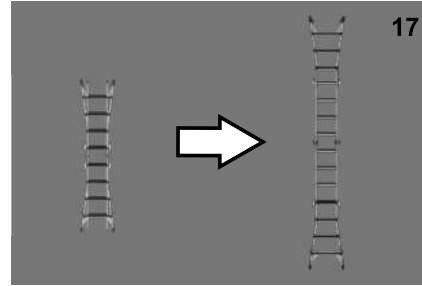
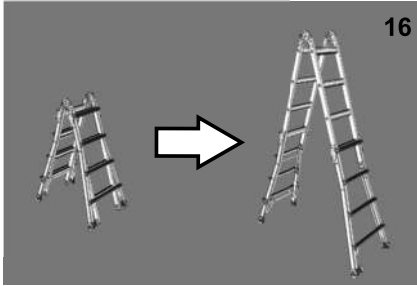
NOTA: Si se ejerce presión sobre el mecanismo de traba de la bisagra, destruirla resultará difícil. Para aliviar la presión mueva una mitad de la escalera hacia atrás y hacia adelante hasta que la traba de la bisagra se mueva con facilidad. **NUNCA FUERCE LA TRABA DE LAS BISAGRA** hacia adentro o afuera con ninguna herramienta, ya que esto causará daños permanentes al mecanismo de la bisagra. Si la escalera se encuentra correctamente alineada, para destruar la bisagra solo debería tener que ejercer presión leve.

2. **Trabar las trabas de bisagra** - Mueva la escalera a la posición deseada. Las trabas de las bisagras cuentan con resortes y estas volverán a colocarse en la posición cerrada (trabada) cuando la bisagra se cambie a la siguiente posición de escalera.

ADVERTENCIA: ASEGÚRESE SIEMPRE DE QUE LAS TRABAS DE AMBAS BISAGRAS ESTÉN COMPLETAMENTE TRABADAS ANTES DE SUBIR LA ESCALERA. NO HACERLO PUEDE CAUSAR LESIONES O LA MUERTE.

NOTA: No permita nunca que el peso completo de la escalera caiga sobre una traba de bisagra cuando la escalera se pliegue de la posición de modo de escalera recta a la de modo de escalera de tijera. Esto dañará las bisagras.

B. Las trabas externas de la escalera - Están ubicadas en las partes superiores de las partes externas de la escalera. Cada escalera cuenta con cuatro de ellas. Le permitirán modificar la altura de la escalera (Fig. 16-17).

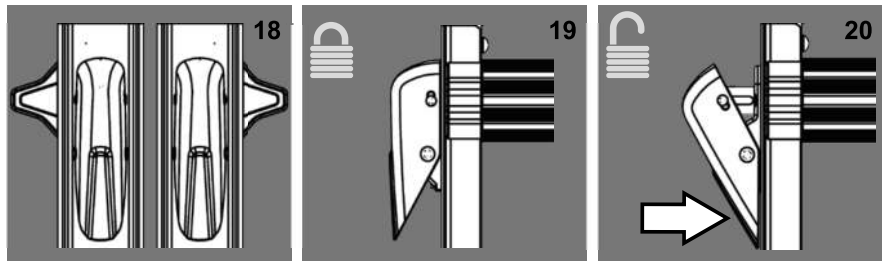


Como las partes externas de la escalera pueden ajustarse independientemente, si se configuran a distintas longitudes se logran los modos de 90 grados y escalones. También puede quitar completamente las partes externas de las internas y unirlos para crear un caballete de andamio.

ADVERTENCIA: NO USE NUNCA LA ESCALERA INTERIOR COMO ESCALERA DE TIJERA O RECTA SIN AL MENOS UNA BASE EXTERIOR ABOCINADA. NO USE NUNCA LAS SECCIONES INTERNA O EXTERNA COMO ESCALERA DE TIJERA POR SEPARADO.

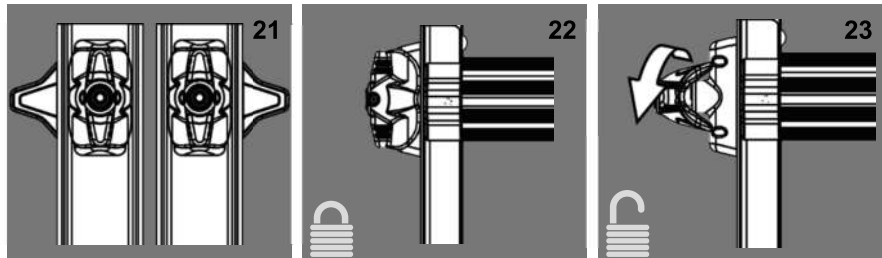
1. **Destrabar las trabas externas de la escalera** - Según su modelo de escalera particular, tendrá uno de los siguientes estilos de traba externa de escalera:

a) Sujetadores ROCK LOCK®



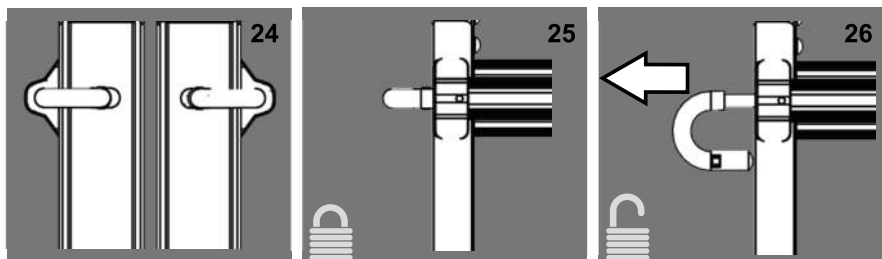
Para destrabar, presione la parte inferior del sujetador ROCK LOCK hasta que haga clic en la posición abierta (destrabada) (Fig. 20).

b) Sujetadores RAPID LOCK® o EZ LOCK™



Para destrabar, gire el sujetador RAPID LOCK o EZ LOCK 90 grados y tire de él hasta colocarlo en la posición abierta (destrabada) (Fig. 23).

c) Trabas de sujeción



Para desbloquear, tire la traba de sujeción hacia afuera hasta que esté completamente fuera del orificio del peldaño, luego hágala girar para quitarla del orificio y suéltela. Quedará en la posición abierta (destrabada) (Fig. 26).

ADVERTENCIA: NO SUELTE NUNCA UNA TRABA EXTERNA MIENTRAS HAYA UNA PERSONA SOBRE LA ESCALERA. ASEGÚRESE SIEMPRE DE QUE TODAS LAS TRABAS EXTERNAS DE LA ESCALERA ESTÉN COMPLETAMENTE BLOQUEADAS ANTES DE SUBIR. NO HACERLO PUEDE CAUSAR LESIONES O LA MUERTE.

C. Consejos generales de seguridad de uso

ADVERTENCIA: LITTLE GIANT LADDER SYSTEMS NO ASUME NINGUNA RESPONSABILIDAD POR LOS DAÑOS O LAS LESIONES QUE PUDIERAN PRODUCIRSE COMO CONSECUENCIA DE NO SEGUIR CORRECTAMENTE TODAS LAS INSTRUCCIONES. LAS ESCALERAS Y LAS ALTURAS SON PELIGROSAS POR NATURALEZA Y PUEDEN CAUSAR LESIONES GRAVES O LA MUERTE. PRESTE ATENCIÓN A LAS SIGUIENTES PRECAUCIONES DE SEGURIDAD:

1. Por su seguridad, arme la escalera de modo que los escalones queden nivelados de adelante hacia atrás y de lado a lado.
2. Para evitar pellizcos, mantenga la ropa y las partes del cuerpo lejos de los mecanismos móviles, incluso de las trabas de bisagras y las trabas externas de la escalera, así como de los escalones, cuando extienda las partes externas de la escalera sobre la parte interna de la escalera.
3. Tenga cuidado extremo al utilizar la escalera cerca de una fuente de corriente eléctrica. Nunca deje que ningún tipo de escalera entre en contacto con circuitos eléctricos activos.
4. Para su seguridad, nunca supere el límite de peso de la escalera. De acuerdo con el modelo, la escalera tiene una de las siguientes cargas nominales conforme a las normas:
 - a) 375 lb [170 kg] - Carga nominal especial tipo IAA (CSA Grado IAA)
 - b) 300 lb [136 kg] - Carga nominal extra pesada tipo IA (CSA Grado IA)
 - c) 250 lb [113 kg] - Carga nominal pesada tipo I (CSA Grado I)
 - d) 150 kg - Industrial (solo modelos AS/NZS)

Esta información se puede encontrar en la etiqueta de **AVISO** adherida a la escalera.

5. Mantenga todos los escalones y las patas de la escalera, las plataformas y otras superficies para pararse o agarrarse limpios y libres de materiales extraños (es decir, barro, pintura, hielo, aceite, etc.).
6. Nunca se incline demasiado hacia el costado de la escalera y mantenga los dos pies sobre los escalones todo el tiempo. Como regla general, mantenga el ombligo entre las barandas laterales.
7. Verifique que las patas de la escalera no estén desgastadas. Reemplácelas en caso necesario.
8. Lea todas las etiquetas de la escalera antes de utilizarla. Reemplace las etiquetas si están dañadas o desgastadas.
9. Nunca use la escalera cuando haya vientos fuertes o tormentas.
10. Colóquese siempre de frente a la escalera y use ambas manos para subir o bajar.
11. Inspeccione siempre la escalera antes de utilizarla. Nunca se suba a una escalera dañada, arqueada o rota. Si necesita piezas de repuesto, deje de usar la escalera y comuníquese con nuestro equipo de atención al cliente al **800-453-1192**. Destruya la escalera si no se puede reparar.
12. Nunca pase períodos prolongados sobre la escalera sin descansos periódicos.
13. Utilice un calzado resistente y antideslizante para subir a la escalera.



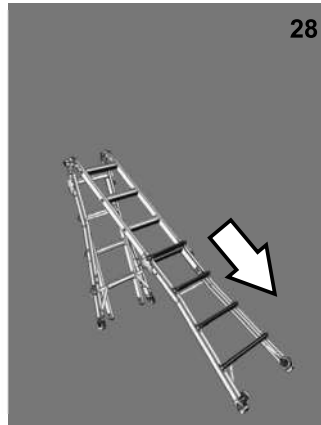
MIEMBRO DEL ALI

Para obtener más información sobre seguridad visite la página web www.laddersafety.org

ES

D. Stepladder Mode Instructions

1. Empezando en la posición de almacenamiento, destrabe ambas trabas de las bisagras (Fig. 7-15).
2. Abra la escalera y colóquela en el modo de escalera de tijera hasta que las bisagras se traben en su lugar (Fig. 27).
3. Destrabe las cuatro trabas externas de la escalera (Fig. 18-26).
4. Comience a extender la escalera colocando una mano en la bisagra e inclinando la escalera hacia atrás. La parte externa de la escalera comenzará a deslizarse por debajo de la parte interna de la escalera (Fig. 28). Use la otra mano para alinear los escalones internos y externos a la altura deseada asegurándose de dejar las manos siempre afuera de la escalera a fin de evitar pellizcarse cuando los escalones pasen uno encima del otro. Una vez que haya alcanzado la altura deseada, bloquee completamente las trabas de la escalera en los orificios de los escalones internos antes de ajustar el otro lado.
5. Para extender el otro lado, sujete las bisagras o las barandas internas de la escalera y eleve la parte interna de la escalera (Fig. 29). Una vez que alcance la altura deseada, con una mano, sostenga los escalones internos y externos de manera que estén alineados y, con la otra, bloquee por completo las trabas externas restantes de la escalera en los orificios de los escalones internos.



6. Asegúrese de que la escalera esté nivelada y de que las cuatro patas estén firmemente apoyadas en el suelo antes de subirse a la escalera.
7. Para regresar la escalera a la posición de almacenamiento, siga estos pasos en el orden contrario, asegurándose siempre de sujetar con firmeza la parte interna de la escalera a medida que destraba las partes externas y de mantener las manos y la vestimenta alejadas de cualquier parte móvil.

ADVERTENCIA: NUNCA DESTRABE LAS TRABAS EXTERNAS DE LA ESCALERA A MENOS QUE SOSTENGA CON FIRMEZA LA PARTE INTERNA DE LA ESCALERA PARA EVITAR QUE SE DESLICE HACIA ABAJO. LA ESCALERA PUEDE PLEGARSE RÁPIDAMENTE Y CAUSAR LESIONES. NUNCA DEJE LOS PIES JUSTO DEBAJO DE LA ESCALERA AL AJUSTARLA.

ES

E. Instrucciones para el modo de escalones

1. Comience con la escalera en el modo de escalera de tijera pequeña. Ajuste las partes externas de la escalera para acomodarlas en los escalones mientras mantiene los peldaños lo más nivelados posible de adelante hacia atrás.
2. Si la escalera está equipada con las ruedas TIP & GLIDE™, estas deben colocarse en la parte inferior, separadas de la escalera (Fig. 30).



F. Instrucciones para el modo de escalera recta

1. Empezando en el modo de escalera de tijera pequeña, destrabe las trabas de las bisagras y levante la escalera para colocarla en el modo de escalera recta hasta que las bisagras se traben. Después, apoye la escalera en el piso. El extremo inferior debe estar frente a la pared en la que se apoyará la escalera. Si su escalera cuenta con ruedas TIP & GLIDE™, estas deben posicionarse en la parte superior de la escalera, por lo que el extremo con las ruedas debe ser el más alejado de la pared (Fig. 31).
2. Destrabe las trabas externas de la escalera en la parte externa superior de la escalera y extiéndala a la altura deseada. Si necesita mayor altura, extienda también la sección inferior (Fig. 32). Cuando la escalera alcance la altura deseada, bloquee todas las trabas externas de la escalera por completo.

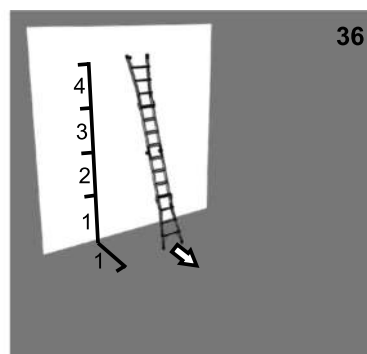
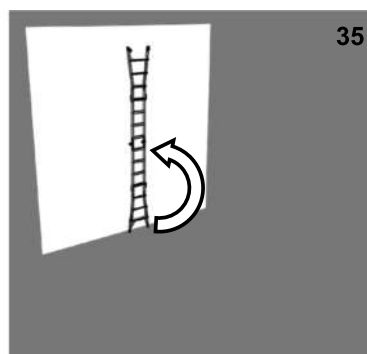
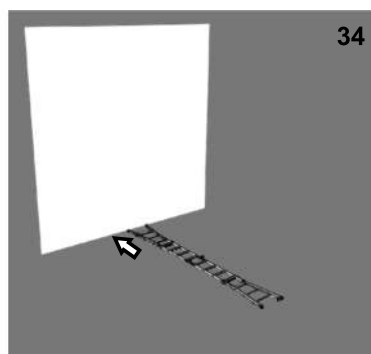
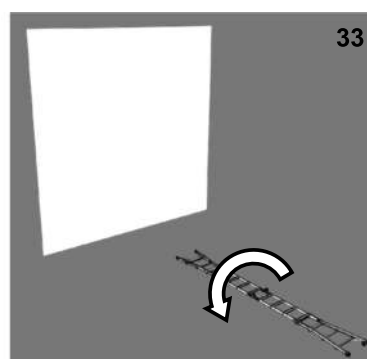
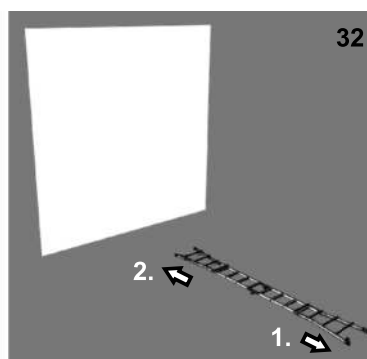
NOTA: Siempre extienda primero la parte externa superior de la escalera. Esta debería encontrarse extendida completamente antes de extender la sección inferior.

3. Gire la escalera, de modo tal que los escalones queden contra el suelo (Fig. 33).
4. Deslice las patas de la escalera y colóquelas contra la pared (Fig. 34).
5. Levante la escalera con la ayuda de las manos (alternándolas de a un escalón por vez) hasta que pueda apoyarla contra la pared (Fig. 35).

NOTA: Si no puede deslizar las patas de la escalera y colocarlas contra la pared, haga que otra persona ubique las patas mientras usted levanta la escalera.

6. Con cuidado levante y aleje la base de la escalera de la pared hasta que se incline al ángulo de subida adecuado de 75.5° (la distancia entre las patas y la pared debe ser 1/4 de la altura del punto de apoyo de la escalera contra la pared).

ADVERTENCIA: SI VA A USAR LA ESCALERA PARA SUBIR A UN TECHO O A UNA PLATAFORMA ELEVADA, PARA SU SEGURIDAD LA ESCALERA DEBE EXTENDERSE TRES PELDAÑOS SOBRE LA LÍNEA DEL TECHO O DE LA PLATAFORMA. EN EL MODO DE ESCALERA RECTA, SIEMPRE ASEGURE LAS PATAS DE LA ESCALERA EN EL SUELO Y ATE LA PARTE SUPERIOR DE LA ESCALERA PARA MAYOR SEGURIDAD. NUNCA SE PARE POR ENCIMA DEL PUNTO DE SOPORTE O EL TERCER ESCALÓN CONTANDO DESDE ARRIBA.



7. Para bajar la escalera, siga estos mismos pasos en el orden contrario, asegurándose de mantener el control de la escalera para que corra peligro de tropezarse cuando baje.

G. Instrucciones para el modo de 90 grados

1. Empezando en el modo de escalera de tijera, extienda una parte exterior de la escalera un escalón más que el otro lado (Fig. 37). Esto permitirá que la parte superior de la escalera esté más cerca de la superficie que desea alcanzar y que no tenga que estirarse o retorcerse para alcanzarla.

ADVERTENCIA: ASEGÚRESE DE QUE LA ESCALERA ESTÉ COLOCADA SOBRE UNA SUPERFICIE NIVELADA Y QUE EL LADO CORTO DE LA ESCALERA ESTÉ APOYADO CONTRA UNA PARED FIJA. NUNCA SE ESTIRE DEMASIADO HACIA NINGUNA DIRECCIÓN NI SUBA POR EL LADO VERTICAL DE LA ESCALERA; ESTO PODRÍA HACER QUE LA ESCALERA SE INCLINE Y PODRÍA CAUSAR LESIONES O LA MUERTE.

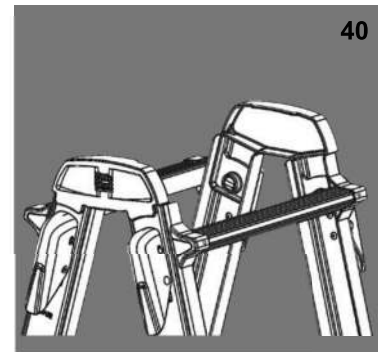
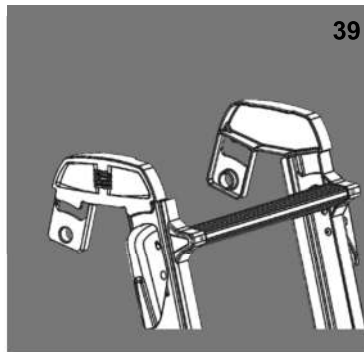
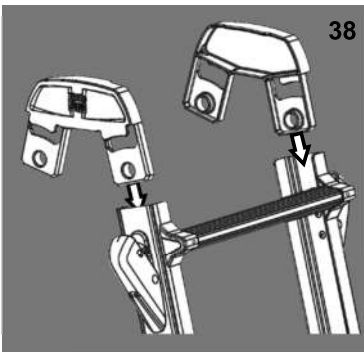


H. Instrucciones para el modo de caballete de andamio

NOTA: Si su escalera cuenta con sujetadores ROCK LOCK®, RAPID LOCK® o EZ LOCK™, se requieren soportes adicionales de caballete para lograr este modo. Los soportes para caballete también se pueden usar en escaleras con trabas de sujeción, pero no son necesarios.

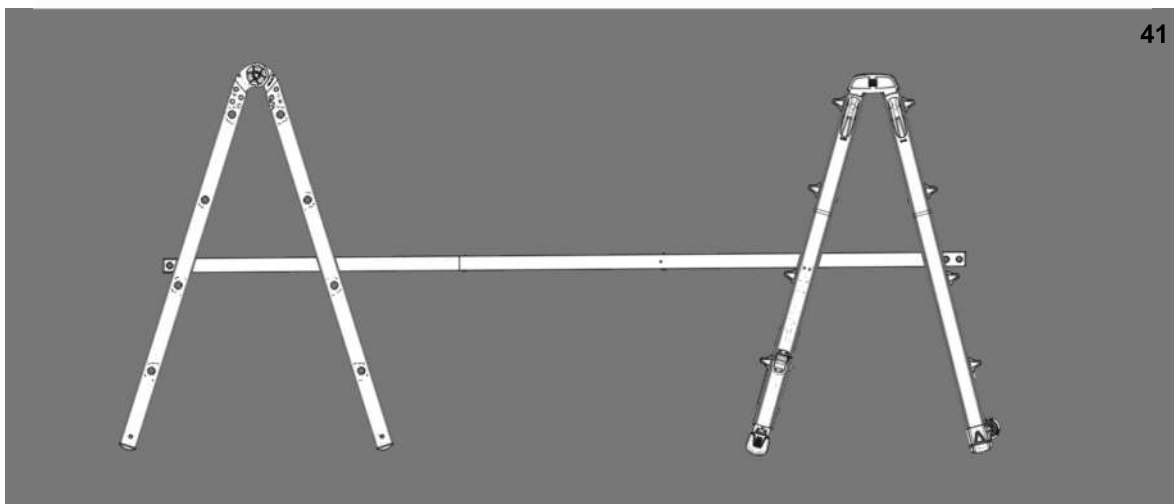
1. Instalación según el método con soportes de caballete

- a) Empezando en el modo de escalera de tijera pequeña, destrabe los ensamblajes de la traba exterior y quite completamente ambos ensamblajes externos de la escalera desde el ensamblaje interno de esta. Deje a un lado el ensamblaje interno de la escalera; este servirá como el primero de los dos caballetes.
- b) Introduzca los soportes para caballetes en las partes superiores de uno de los ensamblajes externos de la escalera de manera tal que las anillas de los soportes queden hacia afuera. Después, trabe los ensamblajes de la traba exterior y repita el proceso con el otro ensamblaje externo de la escalera (Fig. 38-40). Ahora está listo el segundo caballete.



ES

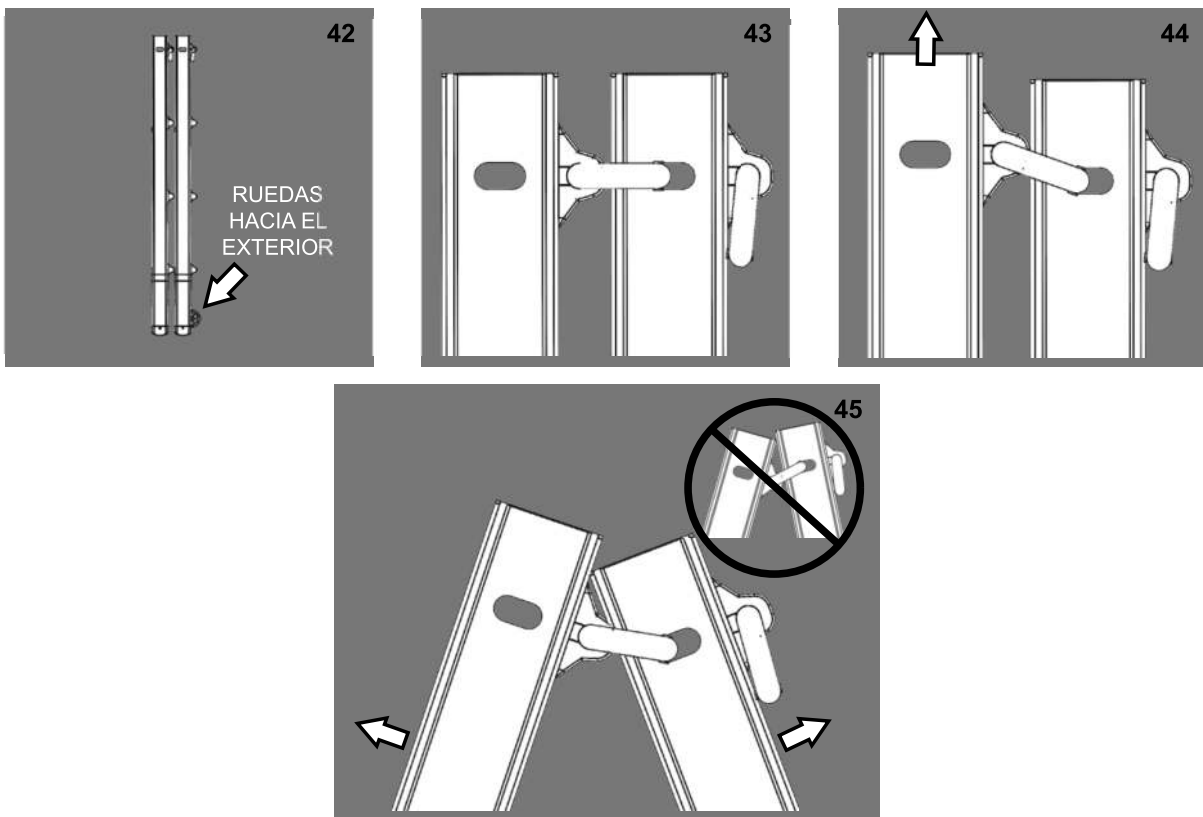
- c) Separe los dos caballetes y coloque un tablón de madera fuerte o un tablón LITTLE GIANT (que se vende por separado) entre ellos a la altura deseada (Fig. 41).



2. Instalación según el método tradicional (solo pestañas de bloqueo)

- Empezando en el modo de escalera de tijera pequeña, destrabe los bloqueos externos de la escalera y quite completamente ambos ensamblajes externos de la escalera desde el ensamblaje interno de esta. Deje a un lado el ensamblaje interno de la escalera; este servirá como el primero de los dos caballetes.
- Gire los dos ensamblajes externos de la escalera para que miren en la misma dirección, luego sosténgalos y colóquelos de forma vertical. Si la escalera cuenta con ruedas TIP & GLIDE™, coloque los ensamblajes externos de la escalera para que las ruedas miren hacia afuera (Fig. 42).
- Retire las pestañas de bloqueo del ensamblaje posterior externo de la escalera y bloquéelas en los orificios en la sección delantera (Fig. 43).
- Para formar el segundo caballete, levante levemente la sección trasera, y luego tire de las dos secciones hacia afuera en la posición de un marco en forma de A (Fig. 44-45).

NOTA: Si este paso se realiza incorrectamente, dañará su escalera y anulará su garantía.



3. Información adicional de seguridad sobre el caballete del andamio

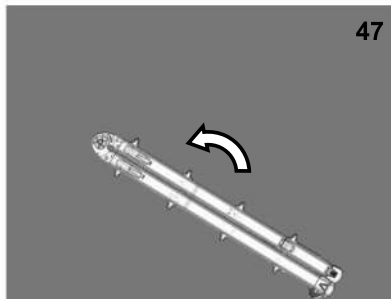
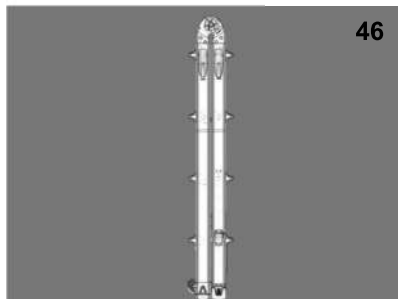
- Independientemente de la carga nominal de la escalera (Tipo I, IA o IAA), cuando se use como sistema de andamiaje, por su seguridad, no exceda la capacidad de carga de la tabla.
- Nunca use los caballetes como escaleras de tijera individuales.
- Las normas ANSI y CSA establecen que no se debe usar el tablón de andamio como plataforma para pararse si se encuentra a una altura que supere tres veces el ancho mínimo de la base. Por lo tanto, solo puede colocar el tablón como una plataforma para pararse en el tercer peldaño inclusive. Si el tablón se coloca a una altura mayor, podrá ser utilizado como mesa de trabajo, pero no como una plataforma de pie. Además, se lo debería asegurar o atar al suelo para proporcionarle más estabilidad.
- Si su tablón no está equipado con abrazaderas o ganchos, extienda los extremos del tablón, al menos, 6" [15 cm], pero no más de 12" [30 cm], más allá del punto de apoyo y nunca se pare sobre los bordes en voladizo del tablón.
- Al volver a montar la escalera, asegúrese de que los escalones externos queden hacia afuera.

ES

I. Instrucciones para las ruedas TIP & GLIDE™

Nota: De acuerdo con el modelo de la escalera, las ruedas TIP & GLIDE pueden estar incluidas o no, o disponibles o no.

1. Con la escalera en posición de almacenamiento, sosténgala del escalón externo superior e inclínela hasta que las ruedas hagan contacto y las patas se levanten del suelo (Fig. 47). Ahora, puede trasladar la escalera con las ruedas por superficies planas y duras al tirar de ella por detrás de usted.

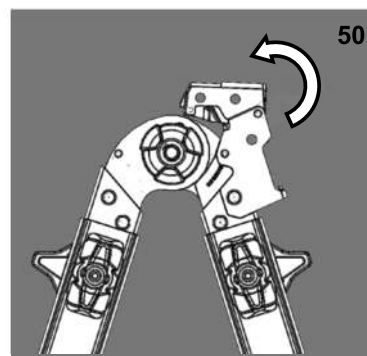
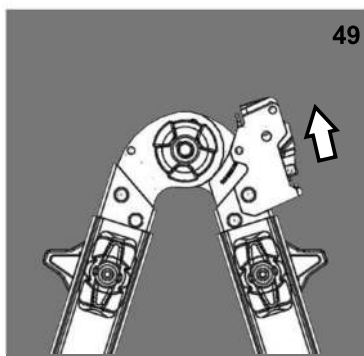
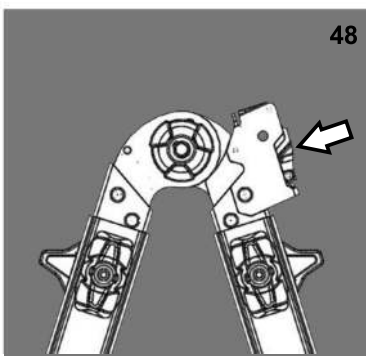


ADVERTENCIA: LAS RUEDAS DEBEN ESTAR SIEMPRE EN LA PARTE SUPERIOR EN EL MODO DE ESCALERA RECTA, ALEJADAS DE LA ESCALERA EN EL MODO DE ESCALONES Y HACIA AFUERA EN EL MODO DE CABALLETE DE ANDAMIO. NO HACERLO PODRÍA PROVOCAR QUE LAS RUEDAS HAGAN CONTACTO CON EL SUELO INESPERADAMENTE, LO QUE PODRÍA CAUSAR LESIONES.

J. Instrucciones para la estación de trabajo AIRDECK®

Nota: los puertos para accesorios son necesarios para usar la estación de trabajo AIRDECK. De acuerdo con el modelo de la escalera, los puertos y la estación de trabajo pueden estar incluidos o no, o ser compatibles o no.

1. Los puertos para accesorios se encuentran en las bisagras de la escalera. De acuerdo con el modelo de la escalera, pueden ser puertos de posición fija o de 2 posiciones. Los puertos de posición fija le permiten usar la estación de trabajo AIRDECK en la posición de pasamanos de seguridad, ya sea usando la bandeja para herramientas o no. Los puertos de 2 posiciones también le permiten usar la estación de trabajo como una bandeja para herramientas horizontal inferior sin necesidad de usarla como pasamanos de seguridad.
 - a) Instrucciones para el puerto para accesorios de 2 posiciones
 - 1) Deslice la inserción hacia arriba (Fig. 49). Esto destrabará el puerto y le permitirá cambiarlo de posición.
 - 2) Rótelo hacia arriba y atrás hasta que gire por completo y se enganche en su lugar (Fig. 50).



- 3) Para volver a colocar el puerto en la posición original, siga estos pasos en el orden contrario, desde tirar hasta que el puerto se desenganche, asegurándose de que quede seguro en la posición de bloqueo al terminar.

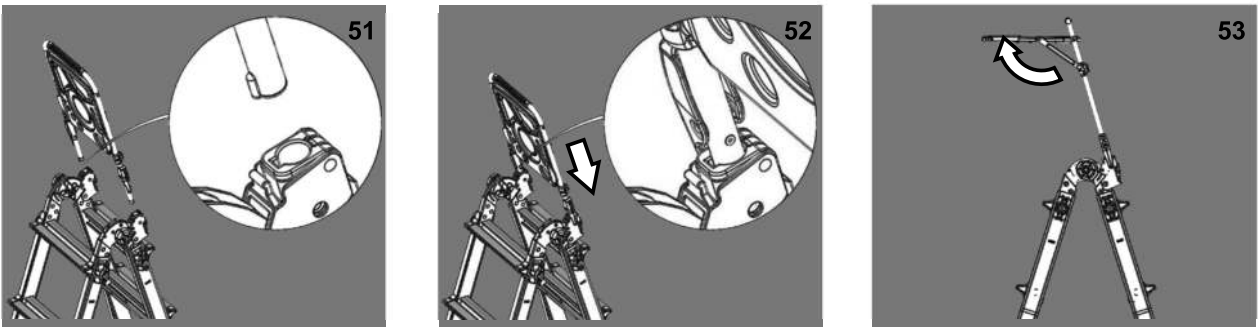
ADVERTENCIA: LOS PUERTOS DEBEN COLOCARSE Y TRABARSE EN LAS POSICIONES DESEADAS ANTES DE INSERTAR LA ESTACIÓN DE TRABAJO. NUNCA AJUSTE LOS PUERTOS CUANDO LA ESTACIÓN DE TRABAJO ESTÉ EN USO.

2. Uso de la estación de trabajo AIRDECK

- a) La estación de trabajo AIRDECK solo se puede usar con la escalera en el modo de escalera de tijera y de escalones. Observe la forma de cerradura en la parte superior del puerto (Fig. 51). Encontrará un enchufe equivalente en el extremo de una pata de la estación de trabajo, que impide que se monte incorrectamente.
- b) Deslice los extremos de la estación de trabajo en los puertos y presione hasta que las trabas se acoplen (Fig. 52). Con los puertos de posición fija y los puertos de 2 posiciones en modo vertical, la estación de trabajo ahora puede usarse como pasamanos de seguridad para una mayor seguridad al trabajar sobre la escalera, y permite acceso de pie en el segundo escalón desde arriba.

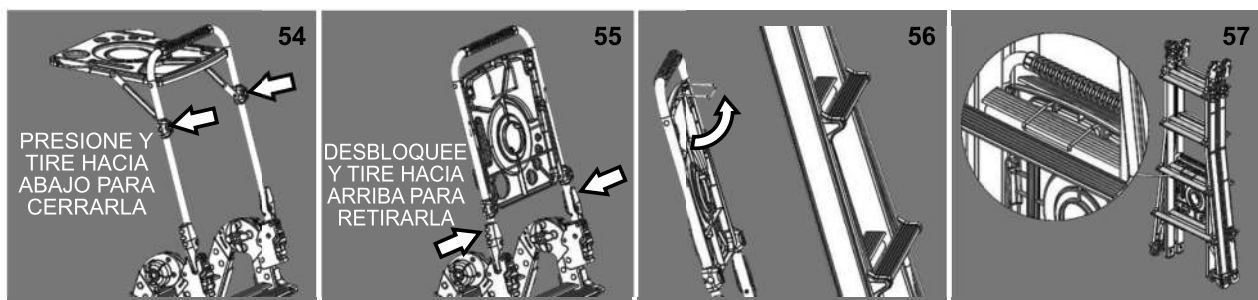
ADVERTENCIA: NUNCA SE PARE EN EL SEGUNDO ESCALÓN DESDE ARRIBA SI LA ESTACIÓN DE TRABAJO NO ESTÁ EN LA POSICIÓN DE PASAMANOS DE SEGURIDAD Y NUNCA SE PARE EN EL ESCALÓN SUPERIOR. ASEGÚRESE SIEMPRE DE QUE LA ESTACIÓN DE TRABAJO ESTÉ TOTALMENTE BLOQUEADA EN LOS PUERTOS ANTES DE USARLA.

- c) Para utilizar la estación de trabajo en la posición de pasamanos de seguridad, rote la bandeja hacia arriba y hacia atrás hasta que se acoplen los bloqueos de los dos brazos de soporte (Fig. 53). Para usar la bandeja para herramientas en la posición horizontal, simplemente inserte la estación de trabajo cuando los puertos de 2 posiciones estén en posición horizontal.



ADVERTENCIA: NUNCA SE PARE NI SE SIENTE SOBRE LA BANDEJA PARA HERRAMIENTAS. TIENE UNA CAPACIDAD NOMINAL DE 25 lb [11 kg]; NUNCA SUPERE ESTA CAPACIDAD NOMINAL. EL PASAMANOS DE SEGURIDAD SOLO ESTÁ DESTINADO A BRINDAR ESTABILIDAD ADICIONAL, NUNCA SE INCLINE NI TIRE DEL PASAMANOS DE SEGURIDAD CON FUERZA EXCESIVA. NUNCA USE LA ESTACIÓN DE TRABAJO AIRDECK CON LA ESCALERA EN EL MODO DE 90 GRADOS.

- d) Para regresar la bandeja para herramientas a su posición de almacenamiento, presione los botones en los extremos de los brazos de soporte para liberar las trabas, luego, deslice las carcasas de los botones hacia abajo para plegar la bandeja (Fig. 54).
- e) Para retirarla, mantenga presionada la parte superior de las trabas y, luego, levántela (Fig. 55).
- f) Para almacenarla, gire hacia afuera el gancho de metal debajo de la bandeja para herramientas (Fig. 56) y cuelgue la estación de trabajo AIRDECK en el interior de la escalera en un escalón interno. Luego, cierre la escalera a la posición de almacenamiento (Fig. 57).

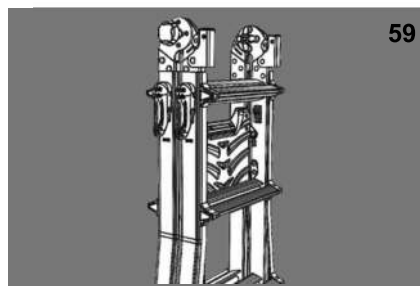
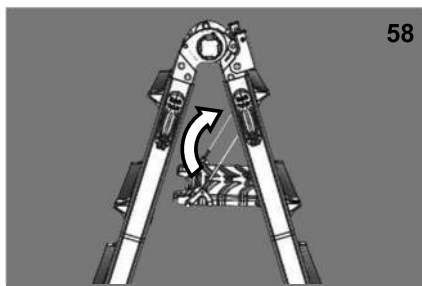


ES

K. Instrucciones para la plataforma COMFORT STEP™

Nota: De acuerdo con el modelo de la escalera, la plataforma COMFORT STEP puede estar incluida o no, o estar disponible o no. Si la escalera está equipada con la plataforma COMFORT STEP, también estará equipada con los puertos para accesorios.

1. Si la escalera está equipada con la plataforma COMFORT STEP, se colocará automáticamente en la posición de uso cuando se abra desde la posición de almacenamiento en el modo de escalera de tijera.
2. Para almacenar la plataforma, tire hacia arriba y adentro la manija de caucho mientras cierra la escalera a su posición de almacenamiento (Fig. 58-59).



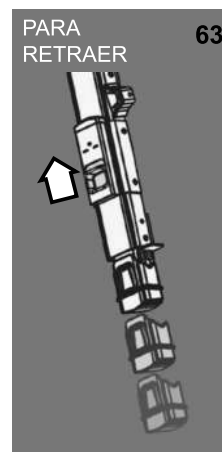
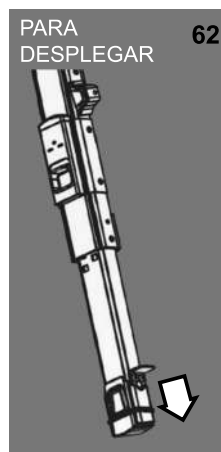
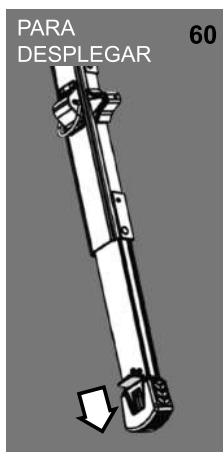
3. Al volver a montar la escalera después de usarla en el modo de caballete de andamio, si cuenta con las ruedas TIP & GLIDE™, la parte externa de la escalera con las ruedas debe instalarse en la mitad interna de la escalera opuesta a la plataforma COMFORT STEP.

ADVERTENCIA: NUNCA SE PARE EN LA PLATAFORMA COMFORT STEP EN EL MODO ESCALERA DE TIJERA O DE ESCALONES SIN LA ESTACIÓN DE TRABAJO AIRDECK EN LA POSICIÓN DE PASAMANOS DE SEGURIDAD. NUNCA SE PARE EN LA PLATAFORMA EN EL MODO DE 90 GRADOS. AL ARMAR LA ESCALERA EN EL MODO DE ESCALERA RECTA, ASEGÚRESE DE QUE LA PLATAFORMA ESTÉ EN LA MITAD INFERIOR DE ESTA.

L. Instrucciones para las niveladoras RATCHET™

Nota: De acuerdo con el modelo de la escalera, las niveladoras RATCHET pueden estar incluidas o no, disponibles o no, o pueden ser de uno de dos estilos: Con aros en "D" o deslizador de liberación.

1. Para desplegar las niveladoras RATCHET, en superficies desniveladas, busque la pata de la escalera que no toca el suelo mientras sostiene la escalera con los escalones nivelados, luego, empuje el rodapié de esa pata niveladora RATCHET con el pie hasta que la pata haga contacto con el suelo (Fig. 60 o 62). Los pasadores de seguridad con resorte trabarán la pata cada, aproximadamente, 7/16" [11 mm] hasta la longitud máxima de la pata, que puede variar según el modelo.
2. Para retraer las niveladoras RATCHET, una vez que se haya bajado de la escalera, tire de los aros en "D" (Fig. 61) hacia afuera o del deslizador hacia arriba (Fig. 63) y las patas niveladoras RATCHET volverán a la posición de almacenamiento.



Aro en "D" de liberación

Deslizador de liberación

Nota: en el modo de escalera recta, asegúrese de que las niveladoras RATCHET™ estén en el suelo.

ADVERTENCIA: NUNCA TIRE DE LOS AROS EN “D” NI DE LOS DESLIZADORES DE LIBERACIÓN SI HAY UNA PERSONA EN LA ESCALERA; HACERLO PUEDE CAUSAR LESIONES O LA MUERTE. LAS NIVELADORAS RATCHET SIRVEN ÚNICAMENTE PARA NIVELAR Y NO DEBEN UTILIZARSE PARA OBTENER UNA ALTURA ADICIONAL. PARA EVITAR TRASPIÉS, MANTENGA EL ESCALÓN INFERIOR A, APROXIMADAMENTE, 12” [30 cm] DEL SUELO.

III. Instrucciones de mantenimiento de la escalera

A. Instrucciones generales de mantenimiento de la escalera

1. Para garantizar un buen funcionamiento, lubrique las trabas de bisagras y las trabas externas de la escalera con un lubricante seco, al menos, cada seis meses y antes de un almacenamiento prolongado. Esto debe realizarse más seguido según el uso y en condiciones meteorológicas extremas. Recomendamos B'laster®. lubricante seco. Si necesita más ayuda, llame a nuestro equipo de atención al cliente al **800-453-1192**.

NO USE LUBRICANTES DE GRAFITO, YA QUE PUEDEN PROMOVER POTENCIALMENTE LA CORROSIÓN.

ADVERTENCIA: MANTENGA LIBRES DE LUBRICANTES TODOS LOS ESCALONES, LAS PATAS DE LA ESCALERA Y TODAS LAS SUPERFICIES QUE USA PARA PARARSE.

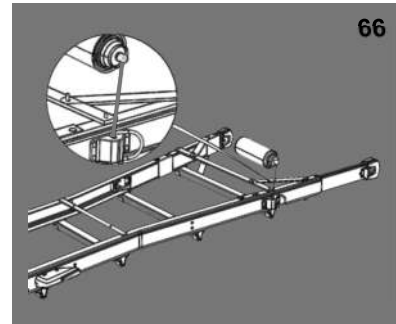
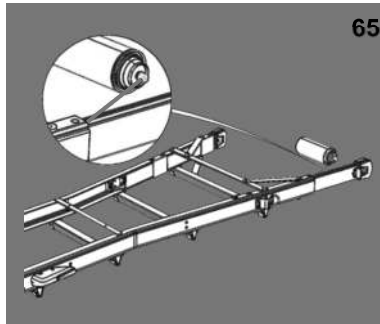
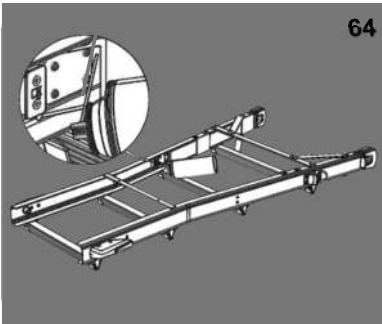
2. Almacene siempre la escalera en un lugar seco protegido de la intemperie.
3. Mantenga las barandas limpias para que la escalera se deslice fácilmente.
4. Mantenga las trabas de bisagra y las trabas externas de la escalera libres de suciedad, niebla salina y otros contaminantes que podrían alterar el correcto funcionamiento.
5. Reemplace las patas interna y externa según sea necesario para garantizar la seguridad.
6. Revise todos los componentes para asegurarse de que funcionen correctamente.
7. Reemplace las etiquetas de seguridad cuando no se vean o lean con claridad, se dañen o despeguen.

B. Instrucciones de lubricación para las niveladoras RATCHET

Nota: Si la escalera está equipada con niveladoras RATCHET, se deben lubricar con la misma frecuencia y el mismo lubricante seco que las trabas de bisagra y las trabas externas de la escalera, como se menciona anteriormente.

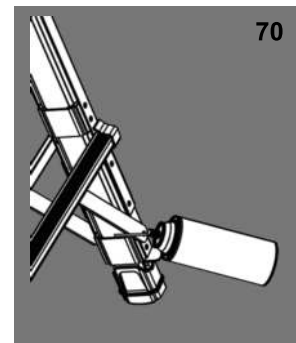
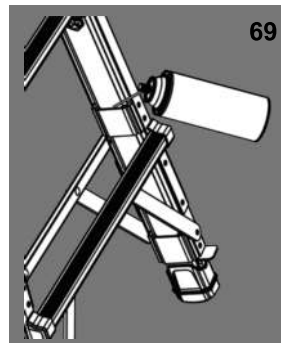
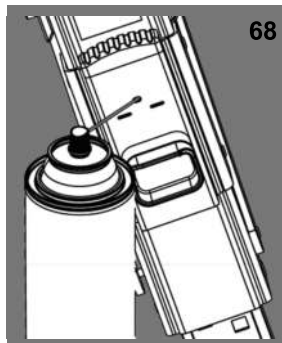
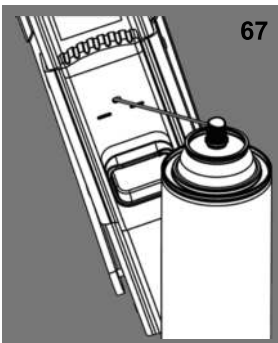
1. Instrucciones de lubricación del aro en "D" de liberación

- Primero, quite la parte externa de la escalera con las niveladoras RATCHET de la parte interna de la escalera.
- Aplique generosamente el lubricante seco adentro de las partes superiores de las patas niveladoras y revista la parte interior de las caras con los orificios para los pasadores (Fig. 64).
- Extienda las niveladoras RATCHET, y aplique generosamente el lubricante seco a todas las superficies externas de las patas niveladoras; asegúrese de no que caiga lubricante en las patas de la escalera (Fig. 65).
- Aplique generosamente el lubricante seco en las partes internas de las carcasas de los aros en "D" ubicados en las barandas laterales de la parte externa de la escalera (Fig. 66).
- Limpie cualquier exceso de lubricante en todas las áreas con un trapo seco antes de retraer las niveladoras RATCHET y volver a usar la escalera.



2. Instrucciones de lubricación del deslizador de liberación

- Primero, quite la parte externa de la escalera con las niveladoras RATCHET de la parte interna de la escalera.
- Aplique generosamente el lubricante seco dentro del orificio central pequeño ubicado sobre el deslizador de liberación de la niveladora RATCHET con movimientos hacia la derecha y la izquierda (Fig. 67 -68).
- Aplique lubricante en la zona donde la pata niveladora se desliza por los soportes superior e inferior adentro de las barandas externas de la escalera y asegúrese de que no caiga lubricante en las patas de la escalera (Fig. 69-70); luego, extienda y retraiga las patas varias veces.
- Limpie cualquier exceso de lubricante en todas las áreas con un trapo seco antes de retraer las niveladoras RATCHET y volver a usar la escalera.



IV. Garantía de Little Giant

Note: Los distintos modelos de escaleras tienen diferentes períodos de garantía. Para ver la duración de la garantía de su escalera particular, revise la etiqueta de AVISO de la escalera, visite www.LittleGiantLadders.com/warranties o comuníquese con el equipo de atención al cliente. Puede registrar su producto en línea en www.LittleGiantLadders.com/registration o llamando al equipo de atención al cliente al 800-453-1192.

Términos y condiciones de la garantía de Little Giant

Little Giant Ladder Systems le garantiza al comprador original que todos los productos nuevos están libres de defectos de fabricación y que si los materiales se usan en condiciones normales se conservarán adecuadamente. Esta garantía cubre todas las partes del producto y reemplazará cualquier garantía expresa o implícita, incluida, entre otras, la garantía implícita de comercialización o aptitud para un fin específico.

En el improbable caso de que, dentro del período de garantía a partir de la fecha de compra original, se produzca un problema por defectos de fabricación o de materiales, Little Giant Ladder Systems reparará o reemplazará el producto, a su discreción y sin costo alguno para el comprador original. Todos los gastos de flete hacia la fábrica y desde la fábrica correrán por cuenta del cliente. Si se requiere un reemplazo y su producto ya no está disponible, se reemplazará por un producto similar.

La responsabilidad de Little Giant Ladder Systems conforme a esta garantía se limitará exclusivamente a la reparación o al reemplazo del producto dentro del período de garantía. Little Giant Ladder Systems no será responsable, en ningún caso, de daños directos o indirectos, incluidos, entre otros, las lesiones personales o los costos laborales. Algunos estados no permiten la exclusión de los daños directos o indirectos y, por eso, la limitación o exclusión anterior puede no aplicarse en su caso. Esta garantía le otorga derechos legales específicos y usted puede tener otros derechos que varían según el estado.

En ningún caso Little Giant Ladder Systems será responsable de gastos incurridos por motivo de reparaciones que no sean realizadas por la fábrica o el servicio técnico autorizado, salvo que dichas reparaciones sean específicamente autorizadas por escrito por Little Giant Ladder Systems. Esta garantía es válida únicamente en América del Norte. Las especificaciones del fabricante están sujetas a modificaciones sin previo aviso.

A. Requisitos para el reemplazo de escaleras para el gobierno, bomberos y militares

1. Debido al uso y las condiciones extremas a las que están sujetas nuestras escaleras en las aplicaciones de gobierno, bomberos y militares, para ayudar a garantizar la seguridad del usuario, las escaleras deben retirarse y reemplazarse cinco años después de la fecha de compra.

V. Cumplimiento de normas y certificaciones

A. ANSI (Instituto Nacional Estadounidense de Estándares)

1. Todas las escaleras articuladas extensibles LITTLE GIANT® están construidas y probadas para cumplir o superar los criterios correspondientes de las normas ANSI-ASC A14.2 (aluminio) o ANSI-ASC A14.5 (fibra de vidrio).

B. OSHA (Administración de Seguridad y Salud Ocupacional)

1. Todas las escaleras articuladas extensibles LITTLE GIANT® están construidas y probadas para cumplir o superar los criterios correspondientes de las normas de escaleras 29 CFR 1910.26 y 29 CFR 1926.1053 de la OSHA.

C. CSA (Asociación Canadiense de Estándares)

1. Varias escaleras articuladas extensibles LITTLE GIANT® están certificadas con la norma CSA Z11. Para ver la lista completa de los productos certificados, visite www.LittleGiantLadders.com/csa.

ES

D. AS/NZS (Normas de Australia y Nueva Zelanda)

1. Algunas escaleras articuladas extensibles LITTLE GIANT® están certificadas con la norma AS/NZS 1892 y tienen una capacidad nominal de 150 kg. Para ver la lista completa de los productos certificados, visite www.LittleGiantLadders.com/as-nzs.

E. NFPA (Asociación Nacional de Protección contra Incendios)

1. Los modelos LITTLE GIANT® OVERHAUL™ y DEFENDER™ han sido probados y certificados como compatibles con NFPA 1931:2020 and NFPA 1932:2020, Norma de uso, mantenimiento y pruebas de servicio de escaleras de tierra de departamentos de bomberos.

F. ISO (Oficina de Servicios Seguros)

1. Los modelos LITTLE GIANT® OVERHAUL™ y DEFENDER™ cumplen con los requisitos de crédito de ISO para equipos de escaleras, autobombas, y autobombas de combinación quíntuple.

G. MIL-SPEC

1. Los modelos LITTLE GIANT® AIRCRAFT SUPPORT™ cumplen con MIL-L-85896(AS).

VI. Advertencias legales

LITTLE GIANT es una marca registrada de Wing Enterprises, Inc., y está registrada en los Estados Unidos, la Unión Europea, Australia, Canadá, China, Hong Kong, Islandia, Israel, Japón, Malasia, Nueva Zelanda, Corea del Sur, Singapur, Taiwán y Tailandia. LITTLE GIANT LADDER SYSTEMS, UNA LADDER LO HACE TODO, AIRDECK, ROCK LOCK y RAPID LOCK son marcas registradas de Wing Enterprises, Inc. en los Estados Unidos.

EZ LOCK, TIP & GLIDE, COMFORT STEP, RATCHET, OVERHAUL, DEFENDER, AIRCRAFT SUPPORT, BUILT FOR THOSE WHO GET STUFF DONE y PREVENTING INJURIES, SAVING LIVES son marcas comerciales registradas de Wing Enterprises, Inc.

El logotipo del Instituto Estadounidense de Escaleras es una marca comercial registrada del Instituto Estadounidense de Escaleras.

B'laster es una marca comercial registrada de The B'laster Corporation. Little Giant Ladder Systems y Wing Enterprises, Inc. no están asociadas con The B'laster Corporation ni sus subsidiarias.

Su escalera LITTLE GIANT puede estar protegida por una o más patentes estadounidenses o internacionales o puede tener otras patentes pendientes. Visite www.LittleGiantLadders.com/patents para obtener detalles. Esta página web se proporciona de acuerdo con las disposiciones de marcas de patentes virtuales de la Ley estadounidense de inventos (America Invents Act).

AQUÍ, EN LITTLE GIANT, NUESTRA MISIÓN ES

**EVITAR LESIONES,
SALVAR VIDAS**

**¡SU SEGURIDAD ES NUESTRA PRIORIDAD PRINCIPAL!
POR SU SEGURIDAD, REVISE LA SIGUIENTE LISTA DE VERIFICACIÓN
DE INSPECCIÓN ANTES DE CADA USO.**

¡NUNCA SE SUBA A UNA ESCALERA DAÑADA, DOBLADA O ROTA!

**LISTA DE VERIFICACIÓN DE INSPECCIÓN
PREOPERATIVA DE LA ESCALERA**

- No faltan piezas y todos los remaches o sujetadores están bien ajustados y asegurados.
- Los escalones y las barandas se encuentran en buenas condiciones, no presentan rajaduras, torceduras, curvaturas ni grandes abolladuras.
- Las cuatro patas están apoyadas sobre una superficie plana respetando la posición de la escalera de tijera y la escalera no se tambalea
- Todas las patas están presentes y en buenas condiciones y la superficie de apoyo no se encuentra completamente desgastada.
- Las trabas de las bisagras funcionan correctamente y se bloquean por completo en los modos de almacenamiento, escalera de tijera y escalera recta.
- Las trabas externas de la escalera funcionan correctamente y se bloquean por completo en los escalones internos.
- Las partes externas de la escalera se deslizan correctamente por la parte interna de la escalera.
- Todas las etiquetas de seguridad están presentes y son legibles.
- Cuando corresponda, todos los demás componentes adicionales (como las niveladoras RATCHET™) funcionan y se traban correctamente.

ES

**SI ENCUENTRA ALGÚN PROBLEMA DURANTE LA INSPECCIÓN,
DEJE DE USAR LA ESCALERA HASTA EFECTUAR LAS
REPARACIONES NECESARIAS. LLAME EL EQUIPO DE ATENCIÓN
AL CLIENTE AL 800-453-1192 PARA OBTENER INFORMACIÓN
SOBRE LOS REPUESTOS Y LA GARANTÍA. DESTRUYA LA
ESCALERA SI NO SE PUEDE REPARAR.**



BUILT FOR

THOSE WHO

GET

STUFF

DONE TM